

## Dexxo Pro 800 - 1000 RTS

**EN** Installation manual

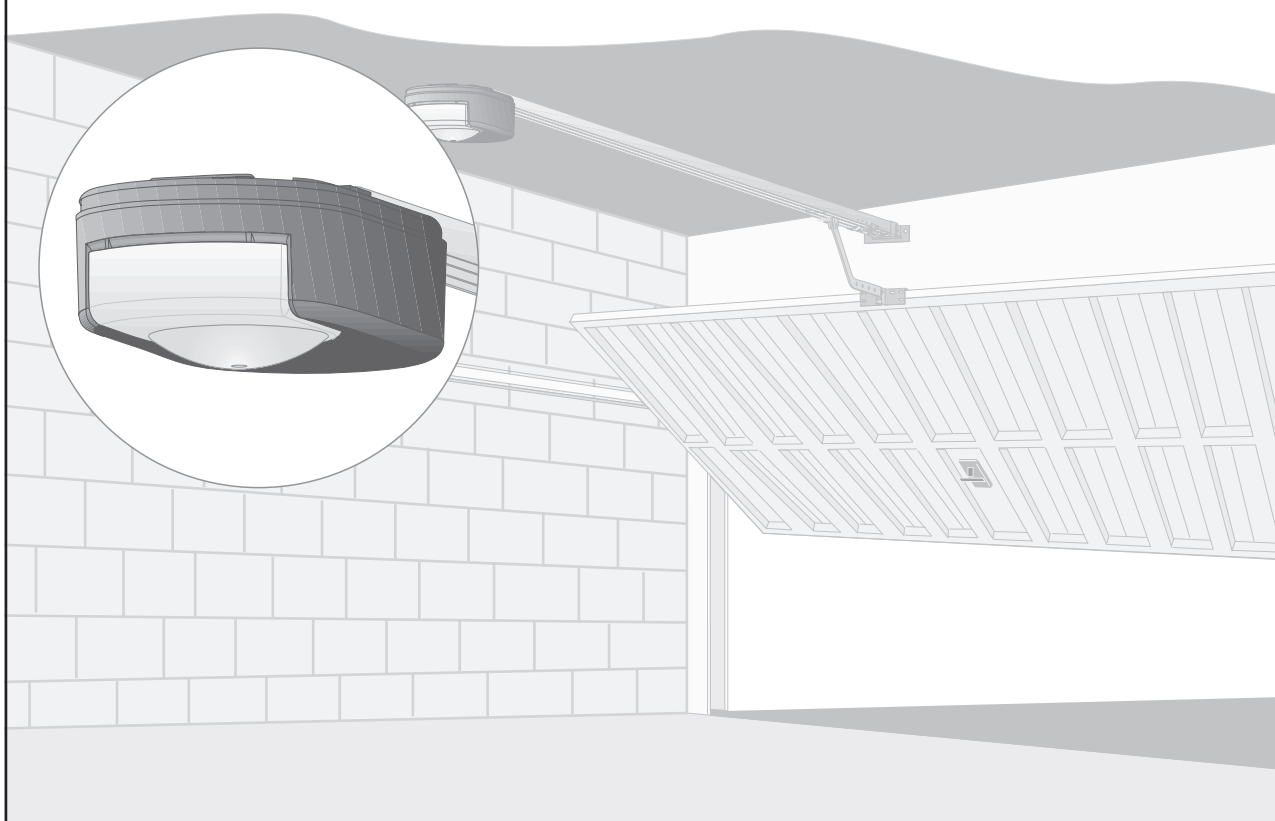
**ES** Montaj kılavuzu

**PT** Manual de instalação

**EL** Εγχειρίδιο εγκατάστασης

**FA** راهنمای نصب

**AR** دليل التركيب





# CONTENTS

<b>GENERAL PRESENTATION</b>	<b>2</b>
<b>SAFETY INSTRUCTIONS</b>	<b>2</b>
Caution	2
Safety instructions	2
<b>PRODUCT DESCRIPTION</b>	<b>2</b>
Product components	2
Area of application	2
<b>POINTS TO CHECK PRIOR TO INSTALLATION</b>	<b>3</b>
Preliminary checks	3
Safety instructions	3
<b>INSTALLATION</b>	<b>3</b>
Installation height	3
Detailed description of installation steps	3
<b>PROGRAMMING</b>	<b>5</b>
Programming button description	5
End limit setting and self-learning	5
Memorising the remote controls for operation in «Total opening» mode	5
<b>OPERATING TEST</b>	<b>5</b>
Using the remote controls	5
Obstacle detection function	5
Built in lighting operation	5
<b>CONNECTING PERIPHERALS</b>	<b>6</b>
Description of the various peripherals	6
Electrical connections for the various peripherals	6
<b>SETUP</b>	<b>7</b>
General setup diagram	7
Meanings of the various parameters	7
<b>CLEARING REMOTE CONTROLS AND ALL SETTINGS</b>	<b>9</b>
Clearing remote controls	9
Resetting all settings	9
<b>LOCKING PROGRAMMING</b>	<b>9</b>
<b>REFITTING COVERS</b>	<b>9</b>
<b>TROUBLESHOOTING</b>	<b>9</b>
Operating codes displayed	9
Programming codes displayed	9
Error and failure codes displayed	10
Accessing stored data	10
<b>TECHNICAL SPECIFICATIONS</b>	<b>11</b>
Dimensions	11

# GENERAL PRESENTATION

This product complies with the "safety, specific rules for powering vertically opening garage doors in residential use" requirements (standard EN 60335-2.95). When installed in line with these instructions and in compliance with the "Installation Checklist", the product will be compliant with standards EN 13241-1 and EN 12453.

The instructions referred to in the installation manual and instructions for use of this product are designed to prevent damage to property and personal injury along with compliance with the above standards. Failure to comply with these instructions absolves Somfy from any liability resulting from damage that may be caused. Dexxo Pro is a product that must be installed inside the garage with an integrated back-up control system.

Somfy hereby declares that the device is compliant with the essential demands and other relevant requirements of directive 1999/5/CE. A declaration of compliance is available from the web site at [www.somfy.com/ce](http://www.somfy.com/ce) (Dexxo Pro). This product is suitable for use in the European Union and in Switzerland.

# SAFETY INSTRUCTIONS

## Caution

These are important safety instructions. Always follow the instructions, incorrect installation may lead to serious injury.

## Safety instructions

Before installing the motor drive unit, remove all unessential lines or chains and switch off all equipment that is not essential for motorised door operation.

Before installing the motor drive unit, make sure that the door is in good mechanical condition, that it is properly balanced and that it opens and closes correctly.

Locate all control systems at least 1.5 metres above floor level, making sure that they are visible from the entrance to the garage but safe from moving parts.

Position the manual release cord no more than 1.8 metres above floor level.

Where a removable release mechanism is used, we recommend storing it close to the door.

Fix the label describing the manual release procedure close to the release mechanism.

Fix the warning labels describing the hazards of door motion close to any fixed control mechanisms installed and make sure that the labels are clearly visible to the user.

After installation, make sure that the mechanism is correctly adjusted and that the motor drive unit reverses its motion when the door encounters an obstacle that is at least 50 mm from floor level.

After installation, make sure that no part of the door overhangs an area accessible to the public.

After installation, make sure that the motor drive unit inhibits or stops the door opening motion when the door is loaded down with a 20 kg weight attached to a central position of the door's bottom edge.

# PRODUCT DESCRIPTION

## Product components Fig. 1

Key.	Number	Description	Key.	Number	Description
1	1	Motor head	15	6	HU8 nut
2	1	Motor cover	16	2	Shaft
3	1	Built-in light cover	17	2	Circlips
4	1	Lintel bracket	19	4	Self-shaping Ø 4x8 screw
5	1	Door bracket	20	2	Special screw for plastic Ø 3.5x12
6	2	Ceiling bracket	21a	1	Single part rail
7	2	Motor head bracket	21b	1	Two part rail
8	1	Manual release cord	21b1	1	Sleeve
9	1	Link arm	21b2	8	Self-shaping Ø 4x8 screw
10	1	Travel stop	22	2	HM8 self-locking nut
11	4	Chain retainer pad	23	2	Bracket
12	1	Power cable	24	1	Spacer
13	2	Hex. head M8x16 bolt	25	2	Keygo remote control
14	4	Hex. head M8x12 bolt & washer	26	1	230 V 40 W E14 socket light bulb

## Area of application Fig. 2

### Types of doors (Fig.2)

**A:** Projecting up and over door.

**B:** Sectional door:

- if the door's **upper profile** is a specific one, use the "sectional door mounting bracket" ref.: 9009390.
- if the door surface **exceeds 10 sq. metres**, use the "sectional door adapter" ref.: 2400873.

**C:** Sideways opening sliding door:

- for side wall mounting, use:

- a belt transmission rail
- an "adjustable cranked arm" ref.: 9014481.

- for ceiling mounting, use:

- an "articulated arm" ref.: 9014482.

**D:** Swinging door. Use the swinging door kit, ref.: 2400459.



**E:** Semi and non projecting door. Use:

- a high performance transmission rail
- "the semi and non projecting door kit" ref.: 2400458.

Some doors of this type may prove impossible to automate. Contact SOMFY's technical department.

**Door dimensions (Fig. 3)**

For maximum door heights, the motor travel can be optimised:

- By installing the motor head at a 90° angle (Fig. 7- ).
- By fixing the lintel bracket to the ceiling, behind the lintel itself by up to 200 mm (Fig. 5- ).
- By cutting the link arm to size.

## POINTS TO CHECK PRIOR TO INSTALLATION

### Preliminary checks

Check the garage door can be operated manually and runs smoothly. Ensure the door is in good mechanical condition (pulleys, mounts...) and is correctly balanced (spring tension).



**Remember that any work performed on door springs may be dangerous.**

The structure of your garage (walls, lintel, inside surfaces, cross members, door rails...) are used to mount the Dexxo Pro system. Reinforce them where necessary.

Never splash water onto the system. Never install Dexxo Pro in a location where water may cause damage.

The bottom edge of the door should be fitted with a rubber strip to avoid hard contact and enhance the contact surface.

If the garage door is the only entry point into the garage, fit an external release (external release keylock (ref. 9012961) or an external release (ref. 9012962) and include a back-up battery (ref. 9001001).

If the garage door includes a separate pedestrian door, the door must be fitted with an interlock to prevent garage door movement when the pedestrian door is open (pedestrian door safety kit ref. 2400657).

If the garage door opens on to a public road, install an indicator light, such as a flashing orange light (ref. 9015171).

If the garage door operates in automatic mode, install a photoelectric cell type safety system (ref. 9014994 or ref. 9013647) and a flashing orange light type indicator.

Make sure that the door does not comprise any accessible parts.



**Unlocking the door may trigger uncontrolled door movement if the door is not balanced correctly.**

### Safety instructions

**Safety instructions must be complied with throughout the installation process:**

- Take off any personal jewellery (bracelet, chain or others) during installation work.
- During drilling and welding work, always wear safety glasses and suitable protection.
- Always use suitable tools.
- Take care when handling the motor drive system.
- Never connect the mains power supply or the battery back-up system before completing the installation process.
- Never use high pressure water systems for cleaning purposes.

## INSTALLATION

### Installation height **Fig. 4**


Measure the distance "D" between the door's highest point and the ceiling.

If "D" is between 35 and 200 mm, mount the complete system straight onto the ceiling.

If "D" exceeds 200 mm, mount the complete assembly so that the height "H" falls between 10 and 200 mm.

### Detailed description of installation steps **Fig. 5 to 15**

#### Mounting the lintel bracket and the door bracket (Fig. 5)

When installing the system directly onto the ceiling (flush with the ceiling), the lintel bracket can be mounted on the ceiling, if necessary recessed from the lintel by up to 200 mm max. (Fig. 5- .

#### Assembling the two part rail (Fig. 6)

[1] [2] [3]. Unfold the two parts of the rail.



**Ensure that the chain or belt is not twisted.**

[4]. Assemble the two parts of the rail using the sleeve.

[5]. Mount the complete assembly using the eight mounting screws.

[6]. Tighten the nut to tension the chain or belt. The compressed rubber must measure 18 and 20 mm.

The mounting screws must not penetrate the rail (do not drill).

When installing the system directly onto the ceiling, do not use the sleeve mounting screws.

**Fitting the rail onto the motor head (Fig. 7)****Fitting the complete assembly onto the garage ceiling (Fig. 8 to 10)****Fitting to the lintel bracket (Fig. 8)****Ceiling mounting**

- Flush with the ceiling: mount the system directly onto the ceiling using the rail (Fig. 9).  
It is possible to add mounting points at the motor head level (Fig. 9- **i**).
- Hung from the ceiling: two options:
  - mount the system at the motor head (Fig. 10- **a**).
  - mount the system at the rail (Fig. 10- **b**).
 To add an adjustable intermediate mounting along the rail, or a mounting at a dimension h between 250 mm and 550 mm, use the ceiling mounting kit ref.: 9014462 (Fig. 10- **i**).

**Fitting the arm onto the door and the trolley (Fig. 11)**

- [1]. Release the trolley using the manual release cord.
- [2]. Bring the trolley up to the door.
- [3]. Attach the arm to the door bracket and the trolley.

**Adjusting and fastening the opening travel stop (Fig. 12)**

- [1]. Release the trolley from the runner using the manual release mechanism and bring the door to the open position.  
Do not open the door fully, but position it so that it does not reach its own travel stop.
- [2]. Slot the travel stop (10) into the rail then turn it by 90°.
- [3]. Position the travel stop against the trolley.
- [4]. Moderately tighten down the mounting screw.



**Do not tighten the mounting screw all the way down. Excessive tightening can damage the screw and cause the travel stop not to remain in place.**

**Fitting the chain retainer pads (Fig. 13)**

For chain rails only.

These pads are used to limit spurious noise linked to chain friction within the rail. Position each of the pads in the first hole in the rail after the travel stop. Make sure that the pad is pressed in all the way so that its positioning pin is accessible outside of the rail.

**Checking the chain or belt tension (Fig. 14)**

The rails are supplied ready tensioned and inspected. If necessary, adjust the tensioning.



**The rubber or tension spring must never be fully compressed during operation.**

**Connecting the mains power supply (Fig. 15)**

- [1]. Remove the motor cover and the protective sheet.
- [2]. Fit the light bulb.
- [3]. Connect to the mains supply.



**Plug the power cable into a suitable power outlet that complies with electric power requirements. The electric supply must be suitably protected (a fuse or circuit breaker with a 5 A rating) and a residual current device (30 mA).**



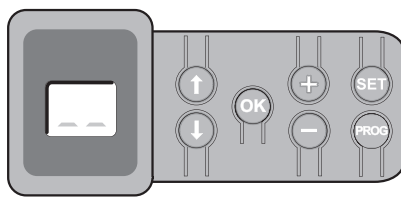
**An omnipolar disconnection mechanism must be provided for the power supply:**  
 . by using a power cord with a mains splug that can be disconnected, or  
 . by fitting a switch that ensures a contact separation distance of at least 3 mm for each pole (refer to standard EN60335-1).



**Make sure that the manual release cord is located at a maximum height of 1.80 metres off the ground. If necessary, extend the cord.**

# PROGRAMMING

## Programming button description



- . Press for 2 s: memorise remote controls  
  . Press for 7 s: delete remote controls
- . Press for 0.5 s: call up and exit the setup menu  
  . Press for 2 s: start learning  
  . Press for 7 s: clear learning and settings  
  . Stop learning
- . Selecting a setting
- . Modifying a setting value  
  . Using the forced mode
- . Start the learning cycle  
  . Confirm setting selection  
  . Confirm setting value

## End limit setting and self-learning **Fig. 16**



*For swinging doors, change the P9 setting before starting self-learning.*

- [1]. Press the **“SET”** button until the light comes on (2 s).  
The display shows **“S2”**
- [2]. Control the motor using the **“+”** or **“-”** buttons so that the transmission system runner moves to link up with the trolley and closes the door.
  - Pressing and holding the **“-”** button **closes** the door.  
**Release the “-” button before the motor has time to force against the door.**
  - Pressing and holding the **“+”** button **opens** the door.
- [3]. Adjust the closed position using the **“+”** or **“-”** buttons.  
**Release the “-” button before the motor has time to force against the door.**
- [4]. Press **“OK”** to validate the closed end limit position and start the self-learning cycle.  
The door runs through a complete Open Close cycle.
  - If learning was correct, the display will show **“C1”**.
  - If the learning cycle was not completed correctly, the display will show **“S1”**.

During the learning cycle:

- If the door is moving, pressing any button will stop the movement and interrupt the learning mode.
- If the door is stopped, pressing **“SET”** once will exit the learning mode.

You can call up the learning mode at any time, even when the learning cycle has already been executed and the display shows **“C1”**.

## Memorising the remote controls for operation in «Total opening» mode **Fig. 17**

Up to 32 control channels can be stored.

Running this procedure for a previously stored channel will clear it.

**At this stage in the installation process, the Dexxo Pro motor drive unit is ready to run.**

# OPERATING TEST

## Using the remote controls **Fig. 18**

## Obstacle detection function **Fig. 19 and 20**

The detection of an obstacle during door opening will stop the door (**Fig. 19**).

The detection of an obstacle during door closure will reopen the door (**Fig. 20**).

Make sure that obstacle detection works when the door encounters an obstacle 50 mm from the ground.

## Built in lighting operation

The light will come on every time the motor drive unit is operated. It will go out automatically after one minute once the door stops. This time delay is adjustable (refer to the Setup chapter). Repetitive use which causes the light to stay on continually may result in an automatic cut-off condition triggered by the thermal cut out protection mechanism.

# CONNECTING PERIPHERALS

## Description of the various peripherals Fig. 21

Key	Description	Key	Description
1	Orange light	7	Pedestrian door safety kit
2	Remote lighting	8	Photoelectric cells
3	Code keypad	9	Reflex type cells
4	Keyswitch	10	Sensor bar
5	Aerial	11	Siren
6	Battery		

## Electrical connections for the various peripherals Fig. 21 to 30

Cut the electric power supply to the motor before performing any work on peripherals. If the display remains off after working on the system, check the wiring (for possible short circuits or polarity reversals).

### General electrical diagram (Fig. 21)

#### Photoelectric cells (Fig. 22)

Two types of connections can be made:

**A:** Standard (without self test): program the setting "P2" = 2.

**B:** With self test: program the setting "P2" = 1.

This means that an automatic test is conducted to check photoelectric cell operation every time the door operates.

If the test fails, no door movement is possible.

#### Reflex photoelectric cell (Fig. 23)

With self test: program the setting "P2" = 1.

This means that an automatic test is conducted to check photoelectric cell operation every time the door moves.

If the test fails, no door movement is possible.

#### Sensor bar (Fig. 24)

With self test: program the setting "P2" = 1.

This is used to perform an automatic test of sensor bar operation every time the door moves.

If the test result is negative, no door movement is possible.



**Make sure you have correctly configured parameter "P2" taking into account the photoelectric cells or the sensor bar.**

#### Orange light (Fig. 25)

Program the setting "P1" depending on the required operating mode:

- Without warning before door movement: "P1" = 0.
- With a 2 s warning before door movement: "P1" = 1.

#### Code keypad (Fig. 26)

#### Pedestrian door safety kit (Fig. 27)

When the pedestrian door contact is fitted, it must be connected in place of the jumper normally fitted between terminals 5 and 6.



**If the pedestrian door contact is removed, the jumper between terminals 5 and 6.**

#### Battery (Fig. 28)

#### Aerial (Fig. 29)

#### Remote lighting (Fig. 30)

Class 2 (double insulation) light units that are connected do not require an earth connection.

Various types of lighting can be connected without exceeding a total power consumption of 500 W.

#### Siren

For more information on connecting the siren, consult the installation manual.

Programme the parameter "Pb" to activate the siren:

- Siren inactive "Pb" = 0.
- Siren active: "Pb" = 1 or "Pb" = 2.



### Meanings of the various parameters

Code	Description	Values	Comments
P0	Total operating mode	<b>0: sequential</b>	Each press on the remote control causes the motor to move (initial position: door closed) as per the following cycle: open, stop, close, stop, open...
		1: sequential + timed close	Automatic closure mode operation is only possible if photoelectric cells are fitted, i.e. P2=1 or P2=2.
		2: automatic closure	
		3: automatic closure by cells	In sequential mode with automatic timed close: - the door is closed automatically after the timed delay programmed in parameter "t0", - pressing a button on the remote control interrupts the movement taking place and the timed close.  In automatic closure mode: - the door is closed automatically after the timed delay programmed in parameter "t0", - pressing a button on the remote control during opening has no effect, - pressing a button on the remote control during closing causes it to reopen, - pressing a button on the remote control during the timed close restarts the timed delay.  After the door is opened, movement in front of the cells (safe closure) will close the door after a short timed delay (fixed at 5 seconds). If there is no movement in front of the cells, the door will close automatically after the timed close programmed in parameter "t0". If there is an obstacle in the cells' detection zone, the door will not close. It will close once the obstacle is removed.
P1	Orange warning light	<b>0: without advance warning</b> 1: with 2 s advance warning	If the garage opens onto a public road, always select with advance warning: P1=1.
P2	Safety input	<b>0: no safety mechanism</b> 1: safety mechanism with self test 2: safety mechanism without self test	If value 0 is selected, the safety input is not taken into account. If value 1 is selected, the system's self test is run at the start of every operating cycle. If value 2 is selected, the safety system runs without a self test: it is essential to test its proper operation every six months.
P3	Obstacle detection sensitivity	0: low sensitivity 1: low sensitivity <b>2: standard</b> 3: high sensitivity	If this setting is changed, it is essential to run the force measurement sequence at the end of the installation procedure or install a sensor bar.
P4	Partial operating mode	<b>0: sequential</b>	Each press on the remote control causes the motor to move (initial position: door closed) as per the following cycle: open, stop, close, stop, open...
		1: sequential + timed close	Automatic closure mode operation is only possible if photoelectric cells are fitted, i.e. P2=1 or P2=2. In sequential mode with automatic timed close: - the door is closed automatically after the timed delay programmed in parameter "t2", - pressing a button on the remote control interrupts the movement taking place and the timed close.
P5	Closing speed	0: slowest speed: approx. 3.5 cm/s to 9: fastest speed: approx. 18 cm/s <b>By default, 6: approx. 12 cm/s</b>	If this setting is changed, it is essential to run the force measurement sequence at the end of the installation procedure or install a sensor bar.
P6	Partially open position	Storing the position as illustrated in Fig. 33.	
P7	Closure approach speed	0: no slowdown <b>1: short soft stop</b> 2: long soft stop	P7=0: the door does not slow before closure. P7=1: the door speed slows 20 centimetres before closure. P7=2: the door speed slows 50 centimetres before closure. If this setting is changed, it is essential to run the force measurement sequence at the end of the installation procedure or install a sensor bar.
P8	Opening speed	0: slowest speed: approx. 3.5 cm/s to <b>9: fastest speed: approx. 18 cm/s</b>	
P9	Choice of operating direction (type of door)	<b>0: direction 1: all types of doors except swinging doors</b>  1: direction 2: swinging doors	If this setting requires modification the end limit setting must be repeated along with self-learning.

Code	Description	Values	Comments
PA	Maintenance required indicator	0: no indication 1: 100 cycles to 99: 9900 cycles (number of cycles = value x 100 cycles)	Once the motor reaches the programmed number of cycles, the integrated light flashes each time the door moves to signal that maintenance is required. To stop the integrated light flashing, either the current value must be confirmed or modified, or the maintenance indicator must be deactivated.
Pb	Detection of forced entry	<b>0: no detection of forced entry</b> 1: obvious forced entry detected 2: less obvious forced entry detected	Detection of forced entry starts operating 30 seconds after the door is closed. If forced entry is detected, the siren sounds for 2 minutes. To stop it, press one of the buttons on the remote control. If photoelectric cells are installed (P2=2), these must be connected to the permanent power supply (refer to the installation manual for the siren).
A0	Safety action prior to opening (safety ADMAP)	<b>0: no effect</b> 1: movement rejected	If value 1 is selected, triggering the safety input will inhibit door opening.
A1	Safety action during closure	1: stop 2: stop + partial re-opening <b>3: fully reopen</b>	Value 1 is not allowed when using a sensor bar on the safety input.
A2	Obstacle detection action during closure	2: stop + partial re-opening <b>3: fully reopen</b>	
t0	Total operating mode automatic timed close	0 to 12 (time delay value = value x 10 s) <b>2: 20 s</b>	
t1	Lighting time delay	0 to 60 (time delay value = value x 10 s) <b>6: 60 s</b>	
t2	Partial operating mode automatic timed close	0 to 12 (time delay value = value x 10 s) <b>2: 20 s</b>	

(*Boldface text = default values*)

**Programming example:** setting the "P7" closure approach speed (Fig. 32)

Setting up a long soft stop function zone "P7" = 2.

**Special case: adjusting the position of the door for partial opening (Fig. 33)**

Select setting "P6" and validate by pressing "OK".

Move the door to the desired partially open position:

- . Pressing and holding the "-" button will close the door.
- . Pressing and holding the "+" button will open the door.
- . Validate by pressing "OK".
- . Exit the menu with "SET".

**Forced mode (Fig. 34)**

This function is used to move the door to a specific position:

- . Pressing and holding the "-" button will close the door.
- . Pressing and holding the "+" button will open the door.

**Memorising the remote control for operation in «Partial opening» mode (Fig. 35)**

**Memorising the remote control for controlling remote lighting (Fig. 36)**

**Memorising a Telis or similar type remote control (Fig. 37)**

## SPECIAL OPERATION

Refer to the User's Manual page 4.

**Adding a remote control without accessing the motor head (see user guide on page 5)**

With a Keygo (Fig. 12a)

With a Telis or similar (Fig. 12b)

## CLEARING REMOTE CONTROLS AND ALL SETTINGS

### Clearing remote controls **Fig. 38**

Press the "PROG" button until the light blinks (7 s).

This clears all of the remote controls memorised.

### Resetting all settings **Fig. 39**

Press the "SET" button until the light goes out (7 s).

This clears all previously stored settings and returns them to their default values.

## LOCKING PROGRAMMING (Fig. 40)

Used to lock the programming settings (end limit setting, self-learning, setup).

Simultaneously press the "SET", "+" and "-" buttons:

- start by pressing "SET".
- pressing "+" and "-" must take place within two seconds.

To access programming mode once again, repeat the same procedure.

## REFITTING COVERS (Fig. 41)

Position the aerial and fit the covers.



*To ensure proper remote control range, the aerial must be fitted in one of the two positions shown in Figure 41.*

## TROUBLESHOOTING

### Operating codes displayed

Code	Description	Comments
C1	Waiting for a command	
C2	Door opening	
C3	Waiting for the door to close	
C4	Door closing	
C5	Obstacle detection	Displayed during obstacle detection then for 30 s.
C6	Safety input active	Displayed after a movement request or during movement, when the safety input is active. This display is maintained as long as the safety input is active.
C9	Pedestrian door safety contact active	Displayed after a movement request or during movement, when the pedestrian door contact is open. The display is maintained as long as the pedestrian door contact remains open.
Ca	Safety mechanism self test	Displayed during safety mechanism self tests.
Cb	Permanent hardwired control	Indicates that the permanent hardwired control input is activated (contact closed). Commands from radio remote control units are inhibited.
Cd	Working from back-up battery Waiting for a command	

### Programming codes displayed

Code	Description	Comments
S1	Awaiting setting	Pressing the "SET" button for 2 s starts the learning mode.
S2	Learning mode	Pressing the "OK" button starts the learning cycle: the S2 display blinks during the entire cycle. Pressing the "+" or "-" buttons will control the motor in forced mode.
F0	Awaiting remote control memorisation for operation in total opening	Pressing a button on the remote control allocates this button to the motor total opening control. Pressing "PROG" once more switches to "awaiting remote control memorisation for operation in partial opening: F1" mode.
F1	Awaiting remote control memorisation for operation in partial opening	Pressing a button on the remote control allocates this button to the motor partial opening control. Pressing "PROG" once more switches to "awaiting remotely controlled lighting memorisation: F2" mode
F2	Awaiting remotely controlled lighting memorisation	Pressing a button on the remote control allocates this button to the remotely controlled lighting control. Pressing "PROG" once more switches to "awaiting remote control memorisation for operation in total opening: F0" mode.

## Error and failure codes displayed

Code	Description	Comments	Action required?
E2	Safety input always active	Displayed when the safety input remains active for more than three minutes.	Check that there is no obstacle triggering cell or sensor bar detection. Check that "P2" is setup correctly depending on the devices connected to the safety input. Check safety device wiring. When photoelectric cells are used, check their proper alignment.
E4	Safety mechanism self test fault	The safety device self test failed	Check that "P2" is setup correctly depending on the devices connected to the safety input. Check safety device wiring. When photoelectric cells are used, check their proper alignment.
Eb Ec	Other faults and failure conditions	These codes correspond to various electronic circuit board failures.	Cut the power supply (mains & battery back-up), wait for a few minutes then re-connect the power supply. Perform a learning cycle. If the fault persists, contact Somfy Technical Support.
H1	Detection of forced entry	Displayed when an action occurs from outside the garage (read by reinjection of power)	Press a button on the memorised remote control to stop the siren. Start a complete opening and closing cycle.
H2	Detection of forced entry	Displayed when an action occurs from outside the garage (read by optical encoder)	Press a button on the memorised remote control to stop the siren. Start a complete opening and closing cycle.
CC	Maintenance is required	Displayed when maintenance is required on the installation. The number of cycles programmed in parameter "PA" has been reached.	Confirm or modify the current "PA" value, or deactivate the "Maintenance required indicator" function.

## Accessing stored data

To access stored data, select the "Ud" setting then press "OK" as shown in Fig. 31.

Data	Description
U0	Total cycle counter: tens and units
U1	Total cycle counter: thousands and hundreds
U2	Total cycle counter: hundreds of thousands
U3	Cycle counter with obstacle detection: tens and units
U4	Cycle counter with obstacle detection: thousands
U5	Number of control channels memorised
d0 to d9	Log of the last ten faults
dd	Clears the fault log: press "OK" for 7 s (Fig.31).

# TECHNICAL SPECIFICATIONS

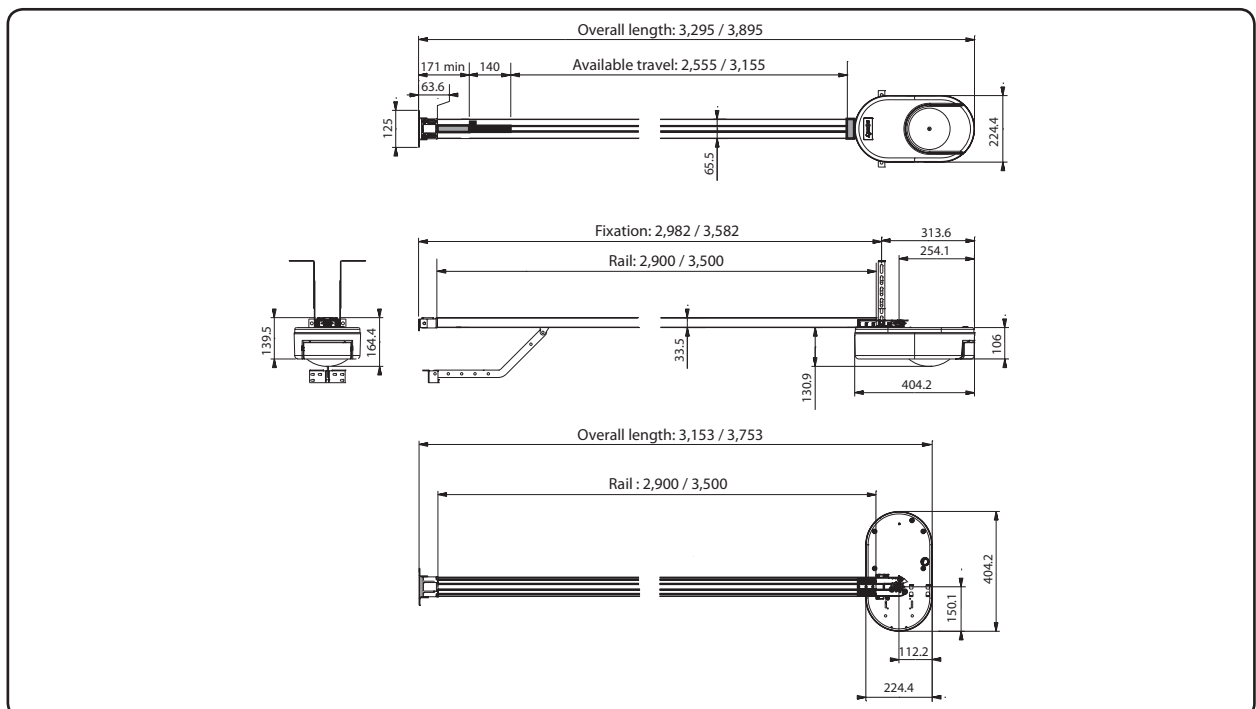
Dexxo Pro 800 RTS

Dexxo Pro 1000 RTS

BASIC TECHNICAL CHARACTERISTICS		Dexxo Pro 800 RTS	Dexxo Pro 1000 RTS
Mains supply		230 V - 50 Hz	
Max. power consumption	Standby-Operation	5 W - 600 W (with 500 W remote lighting)	
Traction force	Peak force	800 N	1000 N
	Starting force (1)	650 N	800 N
Use		20 cycles max. per day with a standard rail - 50 cycles max. per day with a high performance rail tested for 36,500 cycles with a standard rail and 90,000 cycles with a high performance rail	
Number of Opening/Closing cycles per day			
Max. speed		18 cm/s	
Programming interface		7 buttons - 2 character LCD display	
Operating temperature		- 20 ° C / + 60 ° C - indoor dry - IP 20	
Travel end limits		Mechanical stopper at opening	
		Memorized end limit position at closing	
Electrical insulation		Class 2: double insulation <input type="checkbox"/>	
Built in lighting		230 V / 40 W ; E14 socket	
Somfy radio frequency		RTS 433.42 MHz	
Number of channels that can be memorised		32	
CONNECTIONS			
Safety input	Type	Dry contact: NC	
	Compatibility	Photoelectric TX/RX cells - Reflex cell - Sensor strip with dry contact output	
Pedestrian door safety input		Dry contact: NC	
Wired control input		Dry contact: NO	
Remote lighting output		230 V - 500 W - class 2 <input type="checkbox"/>	
Orange light output		24 V - 15 W with built in flashing control	
24 V controlled power supply output		Yes: for possible photoelectric TX/RX cell self-test	
Safety input test output		Yes: for possible reflex cell or sensor strip self-test	
Accessory power supply output		24 V - 500 mA max	
Remote aerial input		Yes: RTS aerial compatible (Réf. 2400472)	
Backup battery input	Autonomy	Yes: battery pack compatible (Réf. 9001001) 24 hours; 5 to 10 cycles depending on door Charge time: 48 hours	
OPERATION			
Forced operation mode		By pressing and holding the motor control button	
Independent lighting control		Yes for remote lighting	
Lighting time delay (after movement)		Programmable : 60 s to 600 s	
Automatic closing mode		Yes: programmable closing time delay from 10 to 120 s	
Orange light pre-warning		Programmable: with or without prior warning (duration set to 2 s)	
Safety input operation	While closing	Programmable: Stop - Partial re-opening - Full reopening	
	Before opening (Dangerous Movement Area Accessible to the Public)	Programmable: no effect or motion refused	
Built-in obstacle detection		Adjustable sensitivity: 4 levels	
Operation when an obstacle is detected		Programmable : partial re-opening or full reopening	
Preset partial opening command		Yes can be selected: adjustable partial opening position	
Progressive start up		Yes	
Opening speed		Programmable from 3.5 cm/s to 18 cm/s: 10 possible values	
Closing speed		Programmable from 3.5 cm/s to 18 cm/s: 10 possible values	
Closure approach speed		Programmable: does not slow down, short slowdown zone (30 cm), long slowdown zone (50 cm)	
Troubleshooting		Recording and accessing data: Cycle counter, cycle counter with obstacle detection, number of radio channels stored, history of the last ten defects recorded.	

(1) Maximum load for motor to start and drive door for at least 5 cm (according to RAL-GZ definition).

## Dimensions





# ÍNDICE

<b>INTRODUCCIÓN</b>	<b>2</b>
<b>INSTRUCCIONES DE SEGURIDAD</b>	<b>2</b>
Advertencia	2
Instrucciones de seguridad	2
<b>DESCRIPCIÓN DEL PRODUCTO</b>	<b>2</b>
Componentes	2
Aplicaciones	2
<b>COMPROBACIONES ANTES DE LA INSTALACIÓN</b>	<b>3</b>
Inspección previa	3
Instrucciones de seguridad	3
<b>INSTALACIÓN</b>	<b>3</b>
Altura de instalación	3
Descripción detallada de las distintas etapas de la instalación	3
<b>PROGRAMACIÓN</b>	<b>5</b>
Descripción de las teclas de programación	5
Ajuste de fin de carrera y autoaprendizaje	5
Memorización de los mandos a distancia para el funcionamiento en «Apertura total»	5
<b>PRUEBA DE FUNCIONAMIENTO</b>	<b>5</b>
Utilización de los mandos a distancia	5
Funcionamiento de la detección de obstáculos	5
Funcionamiento del alumbrado integrado	5
<b>CONEXIÓN DE PERIFÉRICOS</b>	<b>6</b>
Descripción de los distintos periféricos	6
Conexión eléctrica de los distintos periféricos	6
<b>CONFIGURACIÓN</b>	<b>7</b>
Esquema general de configuración	7
Significado de los distintos parámetros	7
<b>MODALIDADES PARTICULARES DE FUNCIONAMIENTO</b>	<b>8</b>
<b>BORRADO DE MANDOS A DISTANCIA Y DE TODOS LOS AJUSTES</b>	<b>9</b>
Eliminar los mandos a distancia	9
Reiniciar todos los ajustes	9
<b>BLOQUEO DE LA PROGRAMACIÓN</b>	<b>9</b>
<b>MONTAJE DE LAS TAPAS</b>	<b>9</b>
<b>DIAGNÓSTICO</b>	<b>9</b>
Visualización de los códigos de funcionamiento	9
Visualización de los códigos de programación	9
Visualización de los códigos de errores y averías	10
Acceso a los datos memorizados	10
<b>CARACTERÍSTICAS TÉCNICAS</b>	<b>11</b>
Dimensiones	11

# INTRODUCCIÓN

Este producto se ajusta a la norma "seguridad, reglas particulares para las motorizaciones de puertas de garaje de apertura vertical para uso residencial" (norma EN 60335-2.95). La instalación de este producto según las presentes instrucciones y conforme a la "ficha de verificación de la instalación" se ajusta a las normas EN 13241-1 y EN 12453.

Las instrucciones que se citan en los manuales de instalación y de utilización de este producto están destinadas a satisfacer los requisitos de seguridad de bienes, personas y de las normas citadas. En caso de incumplimiento de estas instrucciones, Somfy declina toda responsabilidad por los daños que pudieran ocasionarse. El producto Dexxo Pro debe estar instalado en el interior del garaje, con un sistema de mando de emergencia integrado.

Por la presente, SOMFY declara que este producto se ajusta a los requisitos básicos y a otras disposiciones pertinentes de la directiva 1999/5/CE. Existe una declaración de conformidad para su consulta en [www.somfy.com/ce](http://www.somfy.com/ce) (Dexxo Pro). Producto utilizable en la Unión Europea y en Suiza.

## INSTRUCCIONES DE SEGURIDAD

### Advertencia

Instrucciones de seguridad importantes. Seguir todas las instrucciones, ya que una instalación incorrecta puede originar lesiones graves.

### Instrucciones de seguridad

Antes de instalar la motorización, retirar todas las cuerdas o cadenas innecesarias y desactivar todo equipamiento que no sea requerido para el funcionamiento motorizado de la puerta.

Antes de instalar la motorización, comprobar que la puerta esté en buen estado mecánico, equilibrada y que se abra y cierre correctamente.

Colocar todos los botones de control a 1,5 m del suelo, como mínimo, visibles desde la entrada pero alejados de las partes móviles.

Colocar el mando del dispositivo de desembragado manual a 1,8 m del suelo, como máximo.

En caso de que el mando sea amovible, se recomienda colocarlo junto a la puerta.

Fijar de manera duradera la etiqueta relativa al dispositivo de funcionamiento manual junto a su mando.

Fijar de manera duradera las etiquetas de advertencia contra aplastamiento junto a los posibles dispositivos de mando fijos y de manera bien visible para el usuario.

Tras la instalación, comprobar que el mecanismo esté correctamente ajustado y que la motorización cambie de sentido si la puerta se topa con un obstáculo de 50 mm de altura colocado en el suelo.

Tras la instalación, comprobar que las partes de la puerta no sobresalgan por encima de una acera o de una calzada accesibles al público.

Tras la instalación, comprobar que la motorización impida o detenga el movimiento de apertura al cargar la puerta con una masa de 20 kg, fijada en el centro del borde inferior de la puerta.

## DESCRIPCIÓN DEL PRODUCTO

### Componentes Fig. 1

Nº.	Cantidad	Denominación	Nº.	Cantidad	Denominación
1	1	Cabeza motor	15	6	Tuerca HU8
2	1	Tapa cabeza motor	16	2	Eje
3	1	Tapa alumbrado integrado	17	2	Circlips
4	1	Soporte dintel	19	4	Tornillo autorroscante Ø 4x8
5	1	Soporte puerta	20	2	Tornillo para plástico Ø 3,5x12
6	2	Tirante de sujeción techo	21a	1	Raíl monobloque
7	2	Tirante de sujeción cabeza motor	21b	1	Raíl en 2 partes
8	1	Dispositivo de desembragado manual	21b1	1	Manguito
9	1	Brazo de tracción	21b2	8	Tornillo autorroscante Ø 4x8
10	1	Tope fin de carrera	22	2	Tuerca HM8 con autofreno
11	4	Cojinete guía de cadena	23	2	Escuadra
12	1	Cable de alimentación	24	1	Tirante
13	4	Tornillo H M8x16	25	2	Mando a distancia Keygo
14	4	Tornillo arandela H M8x12	26	1	Bombilla 230V 40W tipo E14

### Aplicaciones Fig. 2

#### Tipos de puertas (Fig.2)

**A:** puerta basculante desbordante..

**B:** puerta seccional:

- si el **perfil superior** del panel no es estándar, utilizar el "soporte de sujeción para puerta seccional" ref.: 9009390.

- si la superficie de la puerta es **superior a 10 m<sup>2</sup>**, utilizar el "adaptador de puerta seccional" ref.: 2400873.

**C:** puerta lateral:

- para efectuar el montaje en el muro contiguo, utilizar:

- un raíl de transmisión por correa,

- el "brazo acodado ajustable" ref.: 9014481.

- para efectuar el montaje en el techo, utilizar:

- el "brazo articulado" ref.: 9014482.

**D:** puerta batiente. Utilizar el kit para puerta batiente ref.: 2400459.

**E:** puerta semidesbordante y no desbordante. Utilizar:

- un raíl de transmisión de Altas Prestaciones



- "el kit de puerta semidesbordante y no desbordante", ref.:2400458.

Es posible que algunas de estas puertas no puedan ser motorizadas, consultar al servicio técnico de SOMFY.



### Dimensiones de las puertas (Fig. 3)

Para las alturas máximas de las puertas, se puede optimizar la carrera del motor:

- Montando la cabeza del motor a 90° (Fig. 7- ).
- Fijando el soporte del dintel al techo, a 200 mm por detrás del dintel, como máximo (Fig. 5- )
- Acortando el brazo de tracción.

## COMPROBACIONES ANTES DE LA INSTALACIÓN

### Inspección previa

La puerta de garaje debe funcionar manualmente sin ninguna resistencia. Comprobar su estado mecánico (poleas, soportes...) y su equilibrado, que debe ser perfecto (tensión del muelle).



**Cualquier operación en los muelles de la puerta puede suponer un peligro (caída de la puerta).**

Las estructuras del garaje (muros, dintel, paredes, travesaños, railes de la puerta...) deben permitir fijar Dexxo Pro firmemente. Reforzarlas en caso necesario.

No salpicar con agua el dispositivo. No instalar Dexxo Pro en un lugar en el que pueda recibir salpicaduras de agua.

La parte inferior de la puerta debe contar con un perfil elástico, para evitar impactos y aumentar la superficie de contacto.

Si la puerta de garaje es el único acceso al garaje, se recomienda un desembrague exterior (cerradura de desbloqueo exterior con llave (ref. 9012961) o un desbloqueo exterior (ref. 9012962) e incorporar una batería de emergencia (ref. 9001001).

Si la puerta de garaje cuenta con una portilla, deberá estar equipada con un sistema que impida su movimiento si la portilla está abierta (kit de seguridad portilla ref. 2400657).

Si la puerta de garaje da a la vía pública, hay que instalar un dispositivo de señalización de tipo luz naranja (ref. 9015171).

Si la puerta de garaje funciona de modo automático, hay que instalar un dispositivo de seguridad de tipo célula fotoeléctrica (ref. 9014994 o ref. 9013647) y una señal de tipo luz naranja.

Comprobar que la puerta no tenga partes accesibles peligrosas. Si así fuera, protegerlas.



**El desbloqueo de la puerta puede dar lugar a un movimiento incontrolado si está mal equilibrada.**

### Instrucciones de seguridad

**Las instrucciones de seguridad deben ser cumplidas durante toda la instalación:**

- No llevar joyas puestas durante la instalación (pulsera, cadena u otras).
- Para las operaciones de perforación y soldadura, utilizar gafas especiales y protecciones adecuadas.
- Utilizar las herramientas apropiadas.
- Manipular con precaución el sistema de motorización para evitar el riesgo de lesiones.
- No conectar el dispositivo a la red ni a la batería de emergencia antes de haber terminado el proceso de montaje.
- No utilizar en ningún caso agua a alta presión para limpiar.

## INSTALACIÓN

### Altura de instalación


Medir la distancia "D" entre el punto más alto de la puerta y el techo.

Si "D" está comprendida entre 35 y 200 mm, fijar directamente el conjunto al techo.

Si "D" es superior a 200 mm, fijar el conjunto de manera que la altura "H" esté comprendida entre 10 y 200 mm.

### Descripción detallada de las distintas etapas de la instalación

#### Fijación del soporte del dintel y del soporte de la puerta (Fig. 5)

En el caso de una instalación directamente en el techo (pegada al techo), el soporte del dintel puede ir fijado al techo y, si fuera necesario, a una distancia máxima del dintel de 200 mm (Fig. 5- .

#### Ensamblaje del raíl en 2 partes (Fig. 6)

[1] [2] [3]. Desplegar los 2 tramos del raíl.



**Comprobar que la cadena o la correa no estén cruzadas.**

[4]. Ensamblar los 2 tramos del raíl con el empalme.

[5]. Fijarlos con los 8 tornillos de sujeción.

[6]. Apretar la tuerca para tensar la cadena o la correa. El caucho prensado debe medir 18 y 20 mm.

Los tornillos de sujeción no deben penetrar en el raíl (no perforar).

Si se trata de una instalación pegada al techo, no utilizar los tornillos de sujeción del emplame.

## Ensamblaje del rail con la cabeza del motor (Fig. 7)

### Fijación del dispositivo al techo del garaje (Fig. 8 a 10)

#### Fijación al soporte del dintel (Fig. 8)

#### Fijación al techo

- Pegado al techo: fijación directamente al techo mediante el raíl (Fig. 9).  
Se pueden añadir puntos de fijación a la altura de la cabeza del motor (Fig. 9- **i**).
- Separado del techo: dos posibilidades:
  - fijación al nivel del cabezal del motor (Fig. 10- **a**).
  - fijación al nivel del raíl (Fig. 10- **b**).Si se desea una sujeción intermedia ajustable a lo largo del raíl o una sujeción con una dimensión h comprendida entre 250 mm y 550 mm, utilizar el kit de sujeción al techo ref.: 9014462 (Fig. 10- **i**).

#### Fijación del brazo a la puerta y al carro (Fig. 11)

- [1]. Desembragar el carro mediante el dispositivo de desembrague manual.
- [2]. Llevar el carro hacia la puerta.
- [3]. Fijar el brazo al soporte de la puerta y al carro.

#### Ajuste y montaje del tope de apertura (Fig. 12)

- [1]. Desembragar el carro del deslizador, mediante el dispositivo de desembrague manual y llevar la puerta a su posición de apertura.  
No abrir la puerta completamente, sino posicionarla de modo que no toque sus topes.
- [2]. Introducir el tope (10) en el raíl y girarlo 90°.
- [3]. Posicionar el tope contra el carro.
- [4]. Apretar el tornillo de sujeción moderadamente.



**No apretar el tornillo de sujeción al máximo. Si el apriete es excesivo, el tornillo puede resultar dañado y dar lugar a una sujeción deficiente del tope.**

#### Montaje de los cojinetes guía de la cadena (Fig. 13)

Sólo para los raíles con cadena:

Estos cojinetes sirven para limitar los ruidos parásitos producidos por el rozamiento de la cadena contra el raíl. Colocar cada cojinete en el primer orificio del raíl, al exterior de los fines de carrera.

Asegurarse de introducir al máximo el cojinete, de manera que la pestaña de posicionamiento sobresalga por la parte exterior del raíl.

#### Comprobación de la tensión de la cadena o de la correa (Fig. 14)

Los raíles se entregan con una tensión preajustada y comprobada. En caso necesario, ajustar dicha tensión.



**La goma o el muelle de tensión no debe estar nunca totalmente comprimido durante el funcionamiento.**

#### Conexión de la alimentación eléctrica (Fig. 15)

- [1]. Retirar la tapa del motor y la lámina de protección.
- [2]. Montar la bombilla.
- [3]. Conectar a la red.



**Conectar el cable de alimentación a un enchufe previsto al efecto y adecuado a los requisitos eléctricos. La línea eléctrica debe estar dotada de protección (fusible o interruptor automático de 16 A) y de un dispositivo diferencial (30 mA).**



**Debe disponerse de un medio de desconexión omnipolar:**

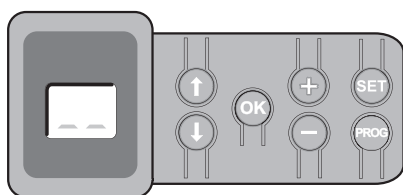
- . Mediante un cable de alimentación con clavija de toma de corriente; o bien
- . Mediante un interruptor que proporcione una distancia mínima de separación de los contactos de 3 mm en cada polo (ver norma EN60335-1).



**Comprobar que el dispositivo de desembrague manual se encuentre a una altura máxima de 1,80 m del suelo. En caso necesario, poner un cordón más largo.**

# PROGRAMACIÓN

## Descripción de las teclas de programación



- . Pulsando 2 s: memorización de los mandos a distancia.
- . Pulsando 7 s: eliminación de los mandos a distancia.



- . Pulsando 0,5 s: entrada y salida del menú de configuración.
- . Pulsando 2 s: activación del autoaprendizaje.
- . Pulsando 7 s: borrado del autoaprendizaje y de los parámetros.
- . Interrupción del autoaprendizaje.



- . Selección de un parámetro.



- . Modificación del valor de un parámetro.
- . Utilización del modo marcha forzada.



- . Inicio del ciclo de autoaprendizaje.
- . Confirmación de la selección de un parámetro.
- . Confirmación del valor de un parámetro.

## Ajuste de fin de carrera y autoaprendizaje **Fig. 16**



*Si se trata de una puerta batiente, modificar el parámetro P9 antes de efectuar el autoaprendizaje.*

- [1]. Pulsar la tecla "SET" hasta que se encienda la lámpara (2 s).  
En la pantalla aparecerá "S2".
- [2]. Accionar el motor con las teclas "+" o "-" para que el deslizador del sistema de transmisión se desplace hasta embragarse en el carro y lleve la puerta a posición de cierre.
  - con una pulsación larga de la tecla "-" se inicia el desplazamiento en sentido de **cierre**.**Soltar el botón "-" antes de que el motor empiece a forzar la puerta.**
  - con una pulsación larga de la tecla "+" se inicia el desplazamiento en sentido de **apertura**.
- [3]. Ajustar la posición de cierre con las teclas "+" o "-".  
**Soltar el botón "-" antes de que el motor empiece a forzar la puerta.**
- [4]. Pulsar "OK" para confirmar el fin de carrera de cierre e iniciar el ciclo de autoaprendizaje.  
La puerta efectúa un ciclo completo de apertura y cierre.
  - Si el autoaprendizaje es correcto, la pantalla muestra "C1".
  - Si el ciclo de autoaprendizaje no se ha efectuado correctamente, la pantalla indica "S1".

Durante el autoaprendizaje:

- Si la puerta está en movimiento, al pulsar cualquier tecla se interrumpe el movimiento y el modo de autoaprendizaje.
- Si la puerta está parada, se puede salir del modo de autoaprendizaje pulsando "SET".

Se puede acceder al modo de autoaprendizaje en todo momento, incluso cuando el ciclo de aprendizaje se ha efectuado y en la pantalla aparece "C1".

## Memorización de los mandos a distancia para el funcionamiento en «Apertura total» **Fig. 17**

Es posible memorizar hasta 32 canales de mando.

Al ejecutar este procedimiento por un canal ya memorizado, se produce el borrado de éste.

**En este punto de la instalación, la motorización Dexxo Pro está lista para funcionar.**

## PRUEBA DE FUNCIONAMIENTO

### Utilización de los mandos a distancia **Fig. 18**

### Funcionamiento de la detección de obstáculos **Fig. 19 y 20**

La detección de un obstáculo durante la apertura provoca la detención de la puerta (**Fig. 19**).

La detección de un obstáculo durante el cierre provoca la reapertura de la puerta (**Fig. 20**).

Comprobar que la detección de obstáculos funcione al toparse la puerta con un obstáculo de 50 mm de altura colocado en el suelo.

### Funcionamiento del alumbrado integrado

El alumbrado se enciende cada vez que la motorización se pone en marcha. Se apaga automáticamente al cabo de un minuto desde el final de movimiento de la puerta. Esta temporización es ajustable (ver capítulo Configuración). El accionamiento repetido de la motorización hace que la lámpara esté encendida constantemente. En tal caso, la protección térmica puede actuar y apagar automáticamente la lámpara.

# CONEXIÓN DE PERIFÉRICOS

## Descripción de los distintos periféricos **Fig. 21**

Nº.	Descripción	Nº.	Descripción
1	Luz naranja	7	Kit seguridad portilla
2	Alumbrado exterior	8	Células fotoeléctricas
3	Teclado digital	9	Célula tipo Reflex
4	Contacto con llave	10	Banda de contacto
5	Antena	11	Sirena
6	Batería		

## Conexión eléctrica de los distintos periféricos **Fig. 21 a 30**

Interrumpir la alimentación eléctrica del motor antes de efectuar cualquier operación en los periféricos. Si la pantalla permanece apagada tras finalizar la operación, comprobar el cableado (posible cortocircuito o inversión de polaridad).

### Esquema eléctrico general (Fig. 21)

#### Células fotoeléctricas (Fig. 22)

Hay dos tipos posibles de conexiones:

**A:** estándar (sin auto test): programar el parámetro "P2" = 2.

**B:** con auto test: programar el parámetro "P2" = 1.

Permite efectuar una prueba automática de funcionamiento de las células fotoeléctricas a cada movimiento de la puerta.

Si la prueba de funcionamiento da un resultado negativo, la puerta no puede efectuar ningún movimiento.

#### Célula fotoeléctrica Reflex (Fig. 23)

Con auto test: programar el parámetro "P2" = 1.

Sirve para efectuar una prueba automática de funcionamiento de la célula fotoeléctrica a cada movimiento de la puerta.

Si la prueba de funcionamiento da un resultado negativo, la puerta no puede efectuar ningún movimiento.

#### Banda de contacto (Fig. 24)

Con auto test: programar el parámetro "P2" = 1.

De este modo, se prueba automáticamente el funcionamiento de la banda de contacto a cada movimiento de la puerta.

Si la prueba de funcionamiento da resultado negativo, la puerta no podrá efectuar ningún movimiento.



**Es imprescindible programar el parámetro "P2" para tomar bien en cuenta las células fotoeléctricas o la banda de contacto.**

#### Luz naranja (Fig. 25)

Programar el parámetro "P1" dependiendo del modo de funcionamiento deseado:

- Sin preaviso del movimiento de la puerta: "P1" = 0.
- Con preaviso de 2 s antes del movimiento de la puerta: "P1" = 1.

#### Teclado digital (Fig. 26)

#### Kit seguridad portilla (Fig. 27)

Al colocar el contacto de la portilla, hay que conectarlo en lugar y sustitución del puente realizado entre los bornes 5 y 6 de la caja de bornes.



**Si se elimina el contacto de la portilla, es imprescindible restablecer el puente entre los bornes 5 y 6.**

#### Batería (Fig. 28)

#### Antena (Fig. 29)

#### Alumbrado exterior (Fig. 30)

Todo alumbrado que se conecte debe ser de clase 2 (aislamiento doble).

Es posible conectar varios dispositivos de alumbrado, sin superar una potencia total de 500 W.

#### Sirena

Si desea obtener más información sobre la conexión de la sirena, consulte el manual de instalación.

Programar el parámetro «Pb» para activar la sirena:

- Sirena inactiva «Pb» = 0.
- Sirena activa: «Pb» = 1 o «Pb» = 2.

# CONFIGURACIÓN

## Esquema general de configuración Fig. 31

### Significado de los distintos parámetros

Código	Denominación	Valores	Comentarios
P0	Modo de funcionamiento total	<b>0: secuencial</b>	Cada pulsación de la tecla del mando a distancia provoca el movimiento del motor (posición inicial: puerta cerrada) según el ciclo siguiente: apertura, parada, cierre, parada, apertura...
		1: secuencial + temporización de cierre	En modo secuencial con temporización de cierre automático: - el cierre de la puerta se realiza de forma automática tras la duración de temporización programada en el parámetro «t0», - una pulsación de la tecla del mando a distancia interrumpe el movimiento en curso y la temporización de cierre.
		2: cierre automático	En modo cierre automático: - el cierre de la puerta se realiza de forma automática tras la duración de temporización programada en el parámetro «t0», - una pulsación de la tecla del mando a distancia durante la apertura no tiene ningún efecto, - una pulsación de la tecla del mando a distancia durante el cierre provoca la reapertura. - una pulsación de la tecla del mando a distancia durante la temporización de cierre reinicia la temporización.
		3: cierre automático con células	Tras la apertura de la puerta, el paso por delante de las células (seguridad cierre) provoca el cierre tras una temporización corta (5 s fijo). Si no se lleva a cabo el paso por delante de las células, el cierre de la puerta se realiza de forma automática tras la temporización de cierre programada en el parámetro «t0». Si existe un obstáculo en la zona de detección de las células, la puerta no se cerrará. Se cerrará cuando se haya retirado el obstáculo.
P1	Preaviso de la luz naranja	<b>0: sin preaviso</b> 1: con preaviso de 2 s	Si el garaje da directamente a la vía pública, seleccionar obligatoriamente con preaviso: P1=1.
P2	Entrada de seguridad	<b>0: sin dispositivo de seguridad</b> 1: dispositivo de seguridad con auto test 2: dispositivo de seguridad sin auto test	Si el valor 0 está seleccionado, la entrada de seguridad no se tiene en cuenta. Si se selecciona el valor 1, el auto test del dispositivo se efectúa en cada ciclo de funcionamiento. Si se selecciona el valor 2: dispositivo de seguridad sin auto test. Es imprescindible comprobar cada 6 meses que el dispositivo funcione correctamente.
P3	Sensibilidad de la detección de obstáculos	0: muy poco sensible 1: poco sensible <b>2: estándar</b> 3: muy sensible	En caso de modificar este parámetro, es imprescindible efectuar el procedimiento de medición de fuerza al finalizar la instalación o instalar una banda de contacto.
P4	Modo de funcionamiento parcial	<b>0: secuencial</b>	Cada pulsación de la tecla del mando a distancia provoca el movimiento del motor (posición inicial: puerta cerrada) según el ciclo siguiente: apertura, parada, cierre, parada, apertura...
		1: secuencial + temporización de cierre	El funcionamiento en modo de cierre automático sólo es posible con células fotoeléctricas instaladas. Es decir, P2=1 o P2=2. En modo secuencial con temporización de cierre automático: - el cierre de la puerta se realiza de forma automática tras la duración de temporización programada en el parámetro «t2», - una pulsación de la tecla del mando a distancia interrumpe el movimiento en curso y la temporización de cierre.
P5	Velocidad de cierre	0: velocidad mínima: aprox. 3,5 cm/s. a 9: velocidad máxima: aprox. 18 cm/s. <b>Por defecto, 6: aprox. 12 cm/s.</b>	En caso de modificar este parámetro, es imprescindible efectuar el procedimiento de medición de fuerza al finalizar la instalación o instalar una banda de contacto.
P6	Posición de apertura parcial	Registro de la posición real según la Fig. 33.	
P7	Velocidad fin de carrera al cierre	0: sin aminoración <b>1: aminoración corta</b> 2: aminoración larga	P7=0: sin aminoración al final del cierre. P7=1: la velocidad se reduce durante los 20 últimos centímetros del cierre. P7=2: la velocidad se reduce durante los 50 últimos centímetros del cierre. En caso de modificar este parámetro, es imprescindible efectuar el procedimiento de medición de fuerza al finalizar la instalación o instalar una banda de contacto.

Código	Denominación	Valores	Comentarios
P8	Velocidad de apertura	0: velocidad mínima: aprox. 3,5 cm/s. a 9: <b>velocidad máxima: aprox. 18 cm/s.</b>	
P9	Selección de sentido de funcionamiento (tipo de puerta)	<b>0: sentido 1: todo tipo de puerta excepto batiente.</b> 1: sentido 2: puerta batiente.	En caso de modificación de este parámetro, es necesario efectuar de nuevo el ajuste de fin de carrera y el autoaprendizaje.
PA	Indicación de mantenimiento necesario	<b>0: sin indicación</b> 1: 100 ciclos a 99: 9.900 ciclos (número de ciclos = valor x 100 ciclos)	Cuando el motor alcanza el número de ciclos programado, el alumbrado integrado parpadea con cada movimiento de la puerta para indicar que es necesario llevar a cabo un mantenimiento. Para detener el parpadeo del alumbrado integrado, debe validarse o modificarse el valor actual, o bien desactivarse la indicación de mantenimiento.
Pb	Detección de golpe	<b>0: sin detección de golpe</b> 1: detección de golpe sensible 2: detección de golpe poco sensible	La detección de golpe está operativa al cabo de 30 s tras el cierre de la puerta. Si se detecta un golpe, la sirena se activa durante 2 min. Para detenerla, debe pulsarse una tecla del mando a distancia. Si se instalan células fotoeléctricas (P2=2), deben estar conectadas de forma imperativa a la alimentación permanente (consultar el manual de instalación de la sirena).
A0	Acción de seguridad antes de apertura (seguridad ADMAP)	<b>0: desactivada</b> 1: movimiento denegado	Si se selecciona el valor 1, la activación de la entrada de seguridad impide la apertura de la puerta.
A1	Acción de seguridad en cierre	1: parada 2: parada y reapertura parcial <b>3: reapertura total</b>	No debe seleccionarse el valor 1 si se utiliza una banda de contacto en la entrada de seguridad.
A2	Acción detección de obstáculo en cierre	2: parada y reapertura parcial <b>3: reapertura total</b>	
t0	Temporización de cierre automático de funcionamiento total	0 a 12 (valor temporización = valor x 10 s) <b>2: 20 s</b>	
t1	Temporización alumbrado	0 a 60 (valor temporización = valor x 10 s) <b>6: 60 s</b>	
t2	Temporización de cierre automático de funcionamiento parcial	0 a 12 (valor temporización = valor x 10 s) <b>2: 20 s</b>	

(Texto en negrita = valores por defecto)

**Ejemplo de programación:** ajuste de la velocidad de fin de carrera al cierre "P7" (Fig. 32)

Configuración de una zona de aminoración larga "P7" = 2.

**Caso particular: ajuste de la posición de la puerta para apertura parcial (Fig. 33)**

Acceder al parámetro "P6" y confirmar con "OK".

Posicionar la puerta en la posición de apertura parcial deseada:

- . Pulsación larga de la tecla "-" = orden de cierre.
- . Pulsación larga de la tecla "+" = orden de apertura.
- . Confirmar con "OK".
- . Salir del menú pulsando "SET".

**Modo marcha forzada (Fig. 34)**

Esta función permite accionar la puerta en todo momento (en caso de pérdida del mando a distancia, avería del dispositivo de seguridad...):

- . Pulsación larga de la tecla "-" = orden de cierre.
- . Pulsación larga de la tecla "+" = orden de apertura.

**Memorización del mando a distancia para el funcionamiento en «Apertura parcial» (Fig. 35)**

**Memorización del mando a distancia para control del alumbrado exterior (Fig. 36)**

**Memorización de un mando a distancia tipo Telis o similar (Fig. 37)**

## MODALIDADES PARTICULARES DE FUNCIONAMIENTO

Ver manual de utilización, página 4.

**Adición de un mando a distancia sin acceso al cabezal del motor (véase el manual de utilización, página 5)**

Con un Keygo (fig. 12a)

Con un Telis o similar (fig. 12b)

## BORRADO DE MANDOS A DISTANCIA Y DE TODOS LOS AJUSTES

### Eliminar los mandos a distancia Fig. 38

Pulsar la tecla "PROG" hasta que parpadee la lámpara (7 s).

Se borran todos los mandos a distancia memorizados.

### Reiniciar todos los ajustes Fig. 39

Pulsar la tecla "SET" hasta que se apague la lámpara (7 s).

Se produce el borrado del autoaprendizaje y el retorno a los valores por defecto de todos los parámetros.

## BLOQUEO DE LA PROGRAMACIÓN (Fig. 40)

Sirve para bloquear las distintas programaciones (ajuste de los finales de carrera, autoaprendizaje y configuración).

Pulsar a la vez las teclas "SET", "+", "-":

- pulsar en primer lugar "SET".

- pulsar "+" y "-" en los 2 s. siguientes.

Para acceder de nuevo a la programación, repetir el mismo procedimiento.

## MONTAJE DE LAS TAPAS (Fig. 41)

Colocar la antena y montar las tapas.



Para que la señal de radio tenga buen alcance, es imprescindible que la antena esté colocada según una de las dos posiciones indicadas en la figura 41.

## DIAGNÓSTICO

### Visualización de los códigos de funcionamiento

Código	Denominación	Comentarios
C1	Espera de orden	
C2	Apertura de la puerta	
C3	Espera de cierre de la puerta	
C4	Cierre de la puerta	
C5	Detección de obstáculo	Aparece al detectar un obstáculo y durante 30 s más.
C6	Entrada de seguridad activa	Aparece al dar una orden de movimiento o durante la ejecución de movimiento, cuando la entrada de seguridad está activa. El código será visible mientras la entrada de seguridad esté activa.
C9	Seguridad contacto portilla activa	Aparece al dar una orden de movimiento o durante la ejecución de movimiento, si el contacto de la portilla está abierto. El código será visible mientras el contacto de la portilla esté abierto.
Ca	Auto test dispositivo de seguridad en ejecución	Visualización durante la ejecución del auto test de los dispositivos de seguridad.
Cb	Control por cable permanente	Indica que la entrada de control por cable está activada permanentemente (contacto cerrado). Las órdenes procedentes de mandos a distancia por radio no tienen ningún efecto.
Cd	Funcionamiento a partir de la batería de emergencia Espera de orden	

### Visualización de los códigos de programación

Código	Denominación	Comentarios
S1	Espera de ajuste	Pulsando la tecla "SET" durante 2 s se inicia el modo autoaprendizaje.
S2	Modo autoaprendizaje	Pulsando la tecla "OK" se inicia el ciclo de autoaprendizaje: el código en pantalla S2 parpadea durante todo el ciclo. Pulsando las teclas "+" o "-" se puede controlar el motor en marcha forzada.
F0	A la espera de memorización del telemando para el funcionamiento en apertura total	Al pulsar una tecla del telemando es posible asignar dicha tecla al comando de apertura total del motor. Al pulsar "PROG" es posible pasar al modo "A la espera de memorización del telemando para el funcionamiento en apertura parcial: F1".
F1	A la espera de memorización del telemando para el funcionamiento en apertura parcial	Al pulsar una tecla del telemando es posible asignar dicha tecla al comando de apertura parcial del motor. Al pulsar nuevamente la tecla "PROG" es posible pasar al modo "A la espera de memorización del comando de iluminación externa: F2".
F2	A la espera de memorización del comando de iluminación externa	Al pulsar una tecla del telemando es posible asignar dicha tecla al comando de iluminación externa. Al pulsar "PROG" es posible pasar al modo "A la espera de memorización del telemando para el funcionamiento en apertura total: F0".



## Visualización de los códigos de errores y averías

Código	Denominación	Comentarios	¿Qué hacer?
E2	Entrada de seguridad activa permanentemente	Visualización cuando la entrada de seguridad está activada durante más de 3 minutos.	Compruebe que ningún obstáculo esté siendo detectado por las células o la banda de contacto. Comprobar que "P2" esté bien configurado de acuerdo con el dispositivo conectado a la entrada de seguridad. Comprobar el cableado de los dispositivos de seguridad. En caso de células fotoeléctricas, comprobar que estén correctamente alineadas.
E4	Fallo auto test dispositivo de seguridad	El auto test de los dispositivos de seguridad no es satisfactorio.	Comprobar que "P2" esté correctamente configurado de acuerdo con el dispositivo conectado a la entrada de seguridad. Comprobar el cableado de los dispositivos de seguridad. En caso de células fotoeléctricas, comprobar que estén correctamente alineadas.
Eb Ec	Otros fallos y averías	Estos códigos corresponden a diversas averías de la tarjeta electrónica.	Interrumpir la alimentación eléctrica (principal + batería de emergencia), esperar algunos minutos y volver a conectar la alimentación. Efectuar un ciclo de autoaprendizaje. Si el fallo persiste, dirigirse a la asistencia técnica de Somfy.
H1	Detección de golpe	Visualización cuando se produce una acción desde el exterior del garaje (lectura por reinyección de corriente)	Pulsar una tecla del mando a distancia memorizado para detener la sirena. Iniciar un ciclo completo de apertura y cierre de la puerta.
H2	Detección de golpe	Visualización cuando se produce una acción desde el exterior del garaje (lectura por codificador óptico)	Pulsar una tecla del mando a distancia memorizado para detener la sirena. Iniciar un ciclo completo de apertura y cierre de la puerta.
CC	Mantenimiento necesario	Visualización cuando es necesario llevar a cabo un mantenimiento en la instalación. Se alcanza el número de ciclos programado en el parámetro «PA».	Validar o modificar el valor «PA» actual o desactivar la función «Indicación de mantenimiento necesario».

## Acceso a los datos memorizados

Para acceder a los datos memorizados, seleccionar el parámetro "Ud" y pulsar "OK" (Fig. 31).

Datos	Denominación
U0	Contador de ciclo total: decenas y unidades
U1	Contador de ciclo total: millares, centenas
U2	Contador de ciclo total: centenas de millares
U3	Contador de ciclo con detección de obstáculos: decenas y unidades
U4	Contador de ciclo con detección de obstáculos: millares
U5	Número de canales de mando memorizados
d0 a d9	Historiales de los 10 últimos fallos
dd	Borrar el historial de fallos: pulsar "OK" durante 7 s. (Fig. 31)



# CARACTERÍSTICAS TÉCNICAS

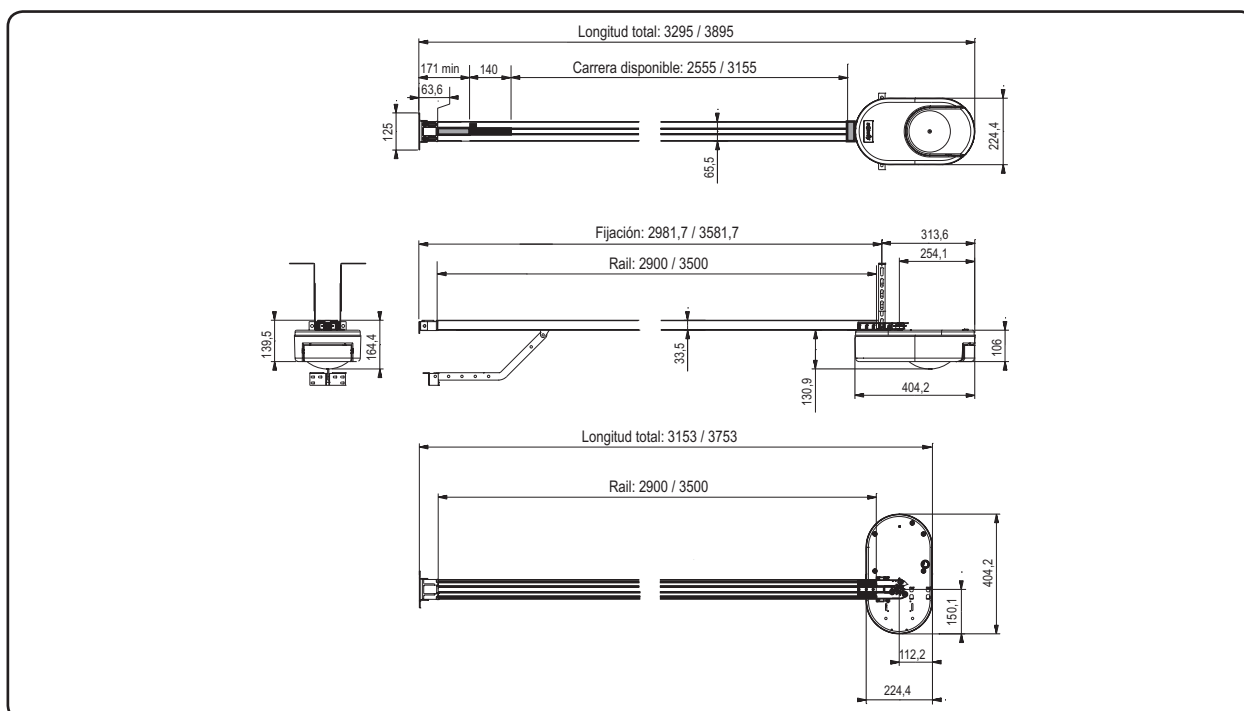
Dexxo Pro 800 RTS

Dexxo Pro 1000 RTS

CARACTERÍSTICAS GENERALES		Dexxo Pro 800 RTS	Dexxo Pro 1000 RTS
Alimentación de red		230 V - 50 Hz	
Potencia máxima consumida	Espera - Funcionamiento	5 W - 600 W (alumbrado exterior 500 W incluido)	
Fuerza de tracción	Fuerza máxima	800 N	1000 N
	Fuerza de arranque (1)	650 N	800 N
Utilización		20 ciclos diarios máx con rail estándar - 50 cycles max. ciclos diarios máx con rail de altas prestaciones probado para 36500 ciclos con rail estándar y 90000 ciclo con rail de altas prestaciones	
Número de ciclos de apertura / cierre diarios			
Velocidad máxima		18 cm/s	
Interfaz de programación		7 botones - pantalla digital 2 caracteres	
Condiciones climáticas de utilización		- 20 ° C / + 60 ° C - interior seco - IP 20	
Fines de carrera		Tope mecánico para apertura. Electrónico para el cierre: posición de cierre memorizada	
Aislamiento eléctrico		Clase 2: aislamiento doble <input type="checkbox"/>	
Alumbrado integrado		230 V / 40 W ; casquillo E14	
Frecuencia radio Somfy		RTS 433,42 MHz	
Número de canales memorizables		32	
CONEXIONES			
Entrada de seguridad	Tipo	Contacto seco: NC	
	Compatibilidad	Células fotoeléctricas TX/RX – Célula réflex – Banda de contacto salida contacto seco	
Entrada de seguridad portilla		Contacto seco: NC	
Entrada de mando alámbrico		Contacto seco: NO	
Salida alumbrado exterior		230 V - 500 W - clase 2 <input type="checkbox"/>	
Salida luz naranja		24 V - 15 W con control de destello incluido	
Salida alimentación 24 V controlada		Sí: para autotest posible células fotoeléctricas TX/RX	
Salida test entrada de seguridad		Sí: para autotest posible células réflex o banda de contacto	
Salida alimentación accesorios		24 V - 500 mA máx.	
Entrada antena remota		Sí: compatible antena RTS (Ref. 2400472)	
Entrada batería de emergencia	Autonomía	Sí: compatible pack batería (Ref. 9001001) 24 horas; 5 a 10 ciclos según puerta Tiempo de carga: 48 h	
FUNCIONAMIENTO			
Modo marcha forzada		Pulsación larga en el botón de control del motor	
Activación independiente del alumbrado		Sí para alumbrado exterior	
Temporización del alumbrado (tras movimiento)		Programable : de 60 s a 600 s	
Modo cierre automático		Sí: temporización de cierre programable de 10 s a 120 s	
Preaviso luz naranja		Programable: con o sin preaviso (duración fija 2 s.)	
Funcionamiento entrada de seguridad	En cierre Antes de apertura (Área peligrosa de movimiento accesible al público)	Programable: parada – reapertura parcial – reapertura total Programable: sin efecto o movimiento denegado	
Detección integrada de obstáculos		Sensibilidad ajustable: 4 niveles	
Funcionamiento en caso de detección de obstáculo		Programable: reapertura parcial o reapertura total	
Comando de apertura parcial predeterminado		Sí, seleccionable: posición de apertura parcial ajustable	
Arranque progresivo		Sí	
Velocidad de apertura		Programable de 3,5 cm/s a 18 cm/s: 10 valores posibles	
Velocidad de cierre		Programable de 3,5 cm/s a 18 cm/s: 10 valores posibles	
Velocidad de fin de carrera al cierre		Programable: sin aminoración, zona corta de aminoración (30 cm), zona larga de aminoración (50 cm)	
Diagnóstico		Guardar y consultar datos: contador de ciclos, contador de ciclos con detección de obstáculos, número de canales de radio memorizados, historial de las 10 últimas anomalías guardadas	

(1) Fuerza máxima que posibilita el arranque y el movimiento de la puerta a lo largo de 5 cm, como mínimo (según definición RAL-GZ).

## Dimensiones





# ÍNDICE

<b>GENERALIDADES</b>	<b>2</b>
<b>INSTRUÇÕES DE SEGURANÇA</b>	<b>2</b>
Aviso	2
Instruções de segurança	2
<b>DESCRIÇÃO DO PRODUTO</b>	<b>2</b>
Composição	2
Campo de aplicação	2
<b>PONTOS PARA VERIFICAR ANTES DA INSTALAÇÃO</b>	<b>3</b>
Controlos preliminares	3
Instruções de segurança	3
<b>INSTALAÇÃO</b>	<b>3</b>
Altura de instalação	3
Detalhe das diferentes etapas da instalação	3
<b>PROGRAMAÇÃO</b>	<b>5</b>
Descrição das teclas de programação	5
Regulação fim de curso e auto-aprendizagem	5
Memorização dos telecomandos para o funcionamento em «Abertura total»	5
<b>ENSAIO DE FUNCIONAMENTO</b>	<b>5</b>
Utilização dos telecomandos	5
Funcionamento da detecção de obstáculo	5
Funcionamento da iluminação integrada	5
<b>LIGAÇÃO DOS PERIFÉRICOS</b>	<b>6</b>
Descrição dos diferentes periféricos	6
Ligação eléctrica dos diferentes periféricos	6
<b>PARAMETRIZAÇÃO</b>	<b>7</b>
Esquema geral de parametrização	7
Significado dos diferentes parâmetros	7
<b>EXTINÇÃO DOS TELECOMANDOS E DE TODAS AS REGULAÇÕES</b>	<b>9</b>
Supressão dos telecomandos	9
Reinicialização de todas as regulações	9
<b>BLOQUEIO DA PROGRAMAÇÃO</b>	<b>9</b>
<b>REMONTAGEM DAS COBERTURAS</b>	<b>9</b>
<b>DIAGNÓSTICO</b>	<b>9</b>
Visualização dos códigos de funcionamento	9
Visualização dos códigos de programação	9
Visualização dos códigos de erros e falhas	10
Acesso aos dados memorizados	10
<b>CARACTERÍSTICAS TÉCNICAS</b>	<b>11</b>
Dimensões	11

## GENERALIDADES

Este produto é conforme à norma de “segurança e regras particulares para as motorizações de portas de garagem de abertura vertical, para uso residencial” (norma EN 60335-2.95). Este produto instalado segundo as presentes instruções e a “ficha de verificação da instalação”, permite uma instalação conforme às normas EN 13241-1 e EN 12453.

As instruções, indicadas nos manuais de instalação e de utilização deste produto, têm o propósito de satisfazer as exigências de segurança dos bens, das pessoas e das ditas normas. Em caso de incumprimento destas instruções, a Somfy não terá nenhuma responsabilidade pelos danos que possam ser originados. O produto Dexxo Pro deve ser instalado no interior da garagem com um sistema de comando de emergência integrado.

Nós, a SOMFY, declaramos que este produto é conforme às exigências essenciais e outras disposições pertinentes da directiva 1999/5/CE.

Uma declaração de conformidade está ao dispor no endereço internet [www.somfy.com/ce](http://www.somfy.com/ce) (Dexxo Pro). Produto utilizável na União Europeia e na Suíça.

## INSTRUÇÕES DE SEGURANÇA

### Aviso

Instruções importantes de segurança. Seguir todas as instruções, já que uma instalação incorrecta pode provocar ferimentos graves.

### Instruções de segurança

Antes de instalar a motorização, retirar todas as cordas ou correntes inúteis e colocar fora de serviço qualquer equipamento que não for necessário para um funcionamento motorizado da porta.

Antes de instalar a motorização, verificar que a parte accionada está em bom estado mecânico, que está bem equilibrada, que se abre e fecha correctamente.

Colocar todos os botões de comando a 1,5 m mínimo do chão, visíveis desde a entrada mas afastados das partes móveis.

Colocar o órgão do dispositivo de desengate manual a 1,8 m máximo do chão.

Para o caso de um órgão de manobra amovível, recomenda-se de o pôr ao lado da porta.

Fixar de um modo permanente a etiqueta sobre o dispositivo de reparação manual perto do seu órgão de manobra.

Fixar de um modo permanente as etiquetas de aviso contra o esmagamento, perto dos dispositivos de comando fixos eventuais e de maneira muito visível para o utilizador.

Após a instalação, assegurar-se de que o mecanismo está correctamente regulado e que a motorização muda de sentido quando a porta encontra um obstáculo de pelo menos 50 mm de altura colocado no chão.

Após a instalação, assegurar-se que as partes da porta não sobressaem por cima de um passeio ou de uma calçada acessível ao público.

Após a instalação assegurar-se que a motorização impede ou pára o movimento de abertura quando a porta é carregada com uma massa de 20 kg, fixada no meio da borda inferior da porta.

## DESCRIÇÃO DO PRODUTO

### Composição Fig. 1

Loc.	Quant.	Designação	Loc.	Quant.	Designação
1	1	Cabeça motor	15	6	Porca HU8
2	1	Cobertura cabeça motor	16	2	Eixo
3	1	Cobertura iluminação integrada	17	2	Anel elástico
4	1	Chapa lintel	19	4	Parafuso auto-formador Ø 4x8
5	1	Chapa porta	20	2	Parafuso para plástico Ø 3,5x12
6	2	Suporte de fixação tecto	21a	1	Carril monobloco
7	2	Suporte de fixação cabeça motor	21b	1	Carril em 2 partes
8	1	Dispositivo de desengate manual	21b1	1	Manguito
9	1	Braço de junção	21b2	8	Parafuso auto-formador Ø 4x8
10	1	Batente de fim de curso	22	2	Porca HM8 autoblocante
11	4	Chumaceira de suporte de corrente	23	2	Esquadro
12	1	Fio de alimentação	24	1	Espaçador
13	4	Parafuso H M8x16	25	2	Telecomando Keygo
14	4	Parafuso arandela H M8x12+	26	1	Lâmpada 230 V 40 W tipo E14

### Campo de aplicação Fig. 2

#### Tipos de porta (Fig.2)

**A:** porta basculante sobressalente.

**B:** porta seccionada:

- se o perfil superior do painel for especial, utilizar “a chapa de fixação para porta seccionada” ref. 9009390.
- se a superfície da porta for superior a 10 m<sup>2</sup>, utilizar “o adaptador de porta seccionada” ref. 2400873.

**C:** porta lateral:

- para uma montagem na parede de retorno, utilizar:
  - um carril de transmissão por correia
  - o “braço curvo ajustável” ref. 9014481.

- para uma montagem no tecto, utilizar:

- o “braço articulado” ref. 9014482.

**D:** porta pivotante. Utilizar o kit porta pivotante Ref.: 2400459.



**E:** porta semi-sobressalente e não sobressalente. Utilizar:

- um carril de transmissão de alto desempenho
- “o kit porta semi-sobressalente e não sobressalente” ref. 2400458.

Pode ser impossível motorizar algumas destas portas. Contactar os serviços técnicos SOMFY.

### Dimensões das portas (Fig. 3)

Para as alturas máximas de portas, o percurso do motor pode ser otimizado:

- Subindo a cabeça motor a 90° (Fig. 7- )
- Fixando a chapa do lintel no tecto com um afastamento em relação ao lintel de 200 mm máx. (Fig. 5- )
- Recortando o braço de junção.

## PONTOS PARA VERIFICAR ANTES DA INSTALAÇÃO

### Controlos preliminares

A porta da garagem deve funcionar manualmente sem nenhum ponto duro. Verificar se está em boas condições mecânicas (poleias, suportes...) e a sua perfeita equilibragem (tensão da mola).



**Qualquer intervenção sobre as molas da porta pode representar um perigo (queda da porta).**

As estruturas da sua garagem (muros, lintel, paredes, travessas, carris da porta,...) permitem fixar o Dexxo Pro solidamente. Reforce-as se for necessário.

Não projectar água sobre o dispositivo. Não instalar o Dexxo Pro num local donde possa haver risco de projecção de água.

A parte inferior da porta deve ser munida de um perfil elástico para evitar um contacto duro e aumentar a superfície de contacto.

Se a porta da garagem for o único acesso para a garagem, deve prever um desengate exterior (fechadura de desbloqueamento exterior com chave (Ref. 9012961) ou desbloqueamento exterior (Ref. 9012962) com uma bateria de emergência (Ref. 9001001).

Se a porta de garagem estiver equipada com um portelo, a porta deve ser equipada com um sistema proibindo o seu movimento quando o portelo estiver aberto (kit de segurança portelo Ref. 2400657).

Se a porta da garagem der para a via pública, será preciso instalar um dispositivo de sinalização tipo indicador luminoso cor de laranja (Ref. 9015171).

Se a porta de garagem funcionar em modo automático, será preciso instalar um dispositivo de segurança tipo célula fotoelétrica (Ref. 9014994 ou Ref. 9013647) e uma sinalização tipo indicador luminoso cor de laranja.

Verifique que não há partes acessíveis perigosas na porta e, se for o caso, ditas partes deverão ser protegidas.



**O sistema de desbloqueamento da porta pode provocar um movimento incontrolado da mesma se estiver mal equilibrada.**

### Instruções de segurança

**As instruções de segurança devem ser respeitadas durante toda a instalação:**

- Retirar as jóias (pulseira, fio ou outras) antes de fazer a instalação.
- Para as operações de perfuração e de soldadura, utilize óculos especiais e protecções adequadas.
- Utilize as ferramentas apropriadas.
- Manipule com precaução o sistema de motorização para evitar qualquer risco de ferimentos.
- Antes de terminar o processo de montagem não se pode fazer a ligação ao sector nem à bateria de emergência.
- Não fazer nunca a limpeza com água com um caudal de alta pressão.

## INSTALAÇÃO

### Altura de instalação


Medir a distância "D" entre o ponto mais alto da porta e o tecto.

Se "D" estiver compreendido entre 35 e 200 mm, fixar directamente o conjunto no tecto.

Se "D" for superior a 200 mm, fixar o conjunto de maneira que a altura "H" esteja compreendida entre 10 e 200 mm.

### Detalhe das diferentes etapas da instalação

#### Fixação da chapa lintel e da chapa porta (Fig. 5)

Se a instalação se fizer directamente no tecto (fixado no tecto), a chapa lintel poderá ser fixada no tecto e se for necessário com um afastamento em relação ao lintel de 200 mm máx. (Fig. 5- )

#### Junção do carril em 2 partes (Fig. 6)

[1] [2] [3]. Desdobrar os 2 troços do carril.



**Verificar se a corrente ou a correia não está cruzada.**

[4]. Juntar os 2 troços do carril com um manguito.

[5]. Fixar o conjunto com os 8 parafusos de fixação.

[6]. Apertar a porca para esticar a corrente ou a correia. A borracha esmagada deve medir entre 18 e 20 mm.

Os parafusos de fixação não devem entrar no carril (não furar).

Para uma instalação fixada no tecto, não utilizar os parafusos de fixação do manguito.

## Junção do carril à cabeça motor (Fig. 7)

### Fixação do conjunto no tecto da garagem (Fig. 8 a 10)

#### Fixação na chapa lintel (Fig. 8)

#### Fixação no tecto

- Fixado no tecto: fixação no tecto directamente por meio do carril (Fig. 9). Podem ser acrescentados pontos de fixação ao nível da cabeça motor (Fig. 9- **i**).
- Suspenso no tecto: duas possibilidades:
  - fixação ao nível da cabeça do motor (Fig. 10- **a**).
  - fixação ao nível da calha (Fig. 10- **b**).Para uma fixação intermédia ajustável junto ao carril, ou uma fixação com uma dimensão h entre 250 mm e 550 mm, utilizar o kit de fixação no tecto ref. 9014462 (Fig. 10- **i**).

#### Fixação do braço na porta e no carro (Fig. 11)

- [1]. Desengatar o carro com o dispositivo de desengate manual.
- [2]. Levar o carro ao nível da porta.
- [3]. Fixar o braço na chapa da porta e no carro.

#### Regulação e fixação do batente de abertura (Fig. 12)

- [1]. Desengatar o carro do vai-vem com o dispositivo de desengate manual e aproximar a porta em posição aberta. Não abrir a porta ao máximo, senão posicioná-la de maneira que não chegue aos batentes.
- [2]. Engatar o batente (10) no carril e fazê-lo girar 90°.
- [3]. Posicionar o batente contra o carro.
- [4]. Apertar o parafuso de fixação moderadamente.



**Não apertar o parafuso de fixação ao máximo. Um aperto excessivo pode danificar o parafuso e provocar uma falha na resistência do batente.**

#### Montagem das chumaceiras de suporte de corrente (Fig. 13)

Só para os carris de corrente.

Estas chumaceiras permitem limitar os ruídos parasitas ligados ao atrito da corrente no carril. Posicionar cada chumaceira no primeiro furo do carril na parte exterior dos fins de curso.

É preciso cravar ao máximo a chumaceira de maneira que o espicho de posicionamento sobressaia pelo exterior do carril.

#### Verificação da tensão da corrente ou da correia (Fig. 14)

Os carris são entregues com uma tensão pré-regulada e controlada. Caso necessário, ajustar a tensão.



**A borracha ou a mola de tensão nunca deve estar completamente comprimida durante o funcionamento.**

#### Ligação eléctrica da alimentação (Fig. 15)

- [1]. Retirar a cobertura do motor e a folha de protecção.
- [2]. Montar a lâmpada.
- [3]. Ligar ao sector.



**Ligar o fio de alimentação a uma tomada prevista ao efeito e conforme às exigências eléctricas. A linha eléctrica deve ser dotada de uma protecção (fusível ou disjuntor calibre 16 A) e de um dispositivo diferencial (30 mA).**



**Deve ser previsto um meio de desconexão onnipolar da alimentação:**

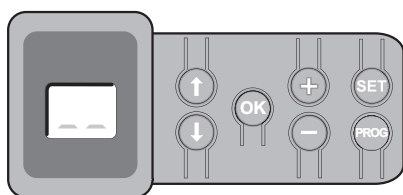
- . Quer mediante um fio de alimentação munido de uma ficha de tomada de corrente;
- . Quer mediante um interruptor assegurando uma distância de separação dos contactos de 3 mm pelo menos em cada pólo (cf. norma EN60335-1).



**Verificar que o dispositivo de desengate manual esteja a uma altura máx. de 1,80 m do chão. Em caso de necessidade, alongar o fio.**

# PROGRAMAÇÃO

## Descrição das teclas de programação



PROG

- . Pressionar 2 s: memorização dos telecomandos
- . Pressionar 7 s: supressão dos telecomandos

SET

- . Pressionar 0,5 s: entrada e saída do menu de parametrização
- . Pressionar 2 s: lançamento da auto-aprendizagem
- . Pressionar 7 s: extinção da auto-aprendizagem e dos parâmetros
- . Interrupção da auto-aprendizagem

↑

↓

- . Selecção de um parâmetro

-

+

- . Modificação do valor de um parâmetro
- . Utilização do modo marcha forçada

OK

- . Lançamento do ciclo auto-aprendizagem
- . Validação da selecção de um parâmetro
- . Validação do valor de um parâmetro

## Regulação fim de curso e auto-aprendizagem **Fig. 16**



*Em caso de porta batente, modificar o parâmetro P9 antes de efectuar a auto-aprendizagem.*

- [1]. Pressionar a tecla "SET" até se acender a luz (2 s).  
No ecrã visualiza-se "S2".
- [2]. Controlar o motor com as teclas "+" ou "-" para engatar o vai-vem de transmissão no carro e levar a porta para a posição fechada.
  - mantendo premida a tecla "-" provoca o deslocamento do vai-vem para o sentido do **fecho**.**Soltar o botão "-" antes que o motor seja forçado na porta.**
  - mantendo premida a tecla "+" provoca o deslocamento do vai-vem para o sentido da **abertura**.
- [3]. Ajustar a posição fechada com as teclas "+" ou "-".  
**Soltar o botão "-" antes que o motor seja forçado na porta.**
- [4]. Pressionar a tecla "OK" para validar o fim de curso de fecho e lançar o ciclo de auto-aprendizagem.  
A porta efectua um ciclo de Abertura-Fecho completo.
  - Se a auto-aprendizagem for correcta o ecrã indica "C1".
  - Se o ciclo de auto-aprendizagem não se realizou correctamente o ecrã indica "S1".Durante a auto-aprendizagem:
  - Se a porta estiver em movimento, pressionando qualquer tecla pára-se o movimento e interrompe-se o modo auto-aprendizagem.
  - Se a porta estiver parada, pressionando "SET" permite sair do modo auto-aprendizagem.

Pode-se aceder ao modo auto-aprendizagem em qualquer momento mesmo quando o ciclo de auto-aprendizagem já foi efectuado e que o ecrã indica "C1".

## Memorização dos telecomandos para o funcionamento em «Abertura total» **Fig. 17**

Podem-se memorizar até 32 canais de comandos.

A execução deste procedimento por um canal já memorizado provoca a extinção deste último.

**A este nível da instalação, a motorização Dexxo Pro está preparada para funcionar.**

## ENSAIO DE FUNCIONAMENTO

### Utilização dos telecomandos **Fig. 18**

### Funcionamento da detecção de obstáculo **Fig. 19 e 20**

Uma detecção de obstáculo durante a abertura provoca a paragem da porta (**Fig. 19**).

Uma detecção de obstáculo durante o fecho provoca a reabertura da porta (**Fig. 20**).

Verificar que a detecção de obstáculo funciona quando a porta encontra um obstáculo de pelo menos 50 mm de altura colocado no chão.

### Funcionamento da iluminação integrada

A luz acende-se cada vez que arranca a motorização. Apaga-se automaticamente após um minuto no fim do movimento da porta. Esta temporização pode ser regulada (ver capítulo parametrização). Uma utilização repetitiva provoca que a luz fique acesa em contínuo, o que dá lugar à extinção automática devida a uma protecção térmica.

# LIGAÇÃO DOS PERIFÉRICOS

## Descrição dos diferentes periféricos Fig. 21

Loc.	Descrição	Loc.	Descrição
1	Indicador luminoso cor de laranja	7	Kit segurança portelo
2	Iluminação exterior	8	Células fotoeléctricas
3	Código digital	9	Célula tipo Reflex
4	Contacto com chave	10	Barra apalpadora
5	Antena	11	Sirene
6	Bateria		

## Ligação eléctrica dos diferentes periféricos Fig. 21 a 30

Cortar a alimentação eléctrica do motor antes de realizar qualquer trabalho sobre os periféricos. Se o ecrã ficar apagado depois da intervenção, verificar a cablagem (possíveis curto-circuitos ou inversões de polaridade).

### Esquema eléctrico geral (Fig. 21)

#### Células fotoeléctricas (Fig. 22)

Podem-se fazer dois tipos de ligações:

**A:** Standard (sem auto teste): programar o parâmetro "P2" = 2.

**B:** Com auto teste: programar o parâmetro "P2" = 1.

Permite fazer um teste automático do funcionamento das células fotoeléctricas a cada movimento da porta.

Se o teste de funcionamento for negativo, nenhum movimento da porta será possível.

#### Célula fotoeléctrica Reflex (Fig. 23)

Com auto teste: programar o parâmetro "P2" = 1.

Permite fazer um teste automático do funcionamento da célula fotoeléctrica a cada movimento da porta.

Se o teste de funcionamento for negativo, nenhum movimento da porta será possível.

#### Barra apalpadora (Fig. 24)

Com auto teste: programar o parâmetro "P2" = 1.

Permite fazer um teste automático do funcionamento da barra apalpadora a cada movimento da porta.

Se o teste de funcionamento for negativo, nenhum movimento da porta será possível.



**É imperativo programar o parâmetro "P2" para ter em conta as células fotoeléctricas ou a barra de contacto.**

#### Indicador luminoso cor de laranja (Fig. 25)

Programar o parâmetro "P1" em função do modo de funcionamento desejado:

- Sem aviso prévio antes do movimento da porta: "P1" = 0.
- Com aviso prévio de 2 s antes do movimento da porta: "P1" = 1.

#### Código digital (Fig. 26)

#### Kit segurança portelo (Fig. 27)

Quando se instalar o contacto do portelo, este deve ser ligado em vez da ponte efectuada nos bornes 5 e 6.



**Se se suprimir o contacto portelo, deve-se imperativamente voltar a fazer a ponte entre os bornes 5 e 6.**

#### Bateria (Fig. 28)

#### Antena (Fig. 29)

#### Iluminação exterior (Fig. 30)

Qualquer iluminação ligada deve ser de tipo Classe 2 (duplo isolamento).

Podem ser ligadas várias iluminações sem todavia ultrapassar uma potência total de 500 W.

#### Sirene

Para obter mais informações sobre a ligação da sirene, consultar o respectivo manual do utilizador.

Programar o parâmetro «Pb» para activar a sirene:

- Sirene inactiva «Pb» = 0.
- Sirene activa: «Pb» = 1 ou «Pb» = 2.



# PARAMETRIZAÇÃO

## Esquema geral de parametrização **Fig. 31**

### Significado dos diferentes parâmetros

Código	Designação	Valores	Comentários
P0	Modo de funcionamento total	<b>0: sequencial</b>	Cada pressão na tecla do telecomando provoca o movimento do motor (posição inicial: porta fechada) de acordo com o seguinte ciclo: abertura, paragem, fecho, paragem, abertura...
		1: sequencial + temporização de fecho	<p>O funcionamento em modo fecho automático só é possível com células fotoeléctricas instaladas. Quer dizer P2=1 ou P2=2.</p> <p>Em modo sequencial com temporização de fecho automático:                      - o fecho da porta efectua-se, de forma automática, após o fim da temporização programada no parâmetro «t0»,                      - uma pressão na tecla do telecomando interrompe o movimento em curso e a temporização de fecho.</p> <p>Em modo de fecho automático:                      - o fecho da porta efectua-se, de forma automática, após o fim da temporização programada no parâmetro «t0»,                      - uma pressão na tecla do telecomando durante a abertura da porta não provoca qualquer acção,                      - uma pressão na tecla do telecomando durante o fecho da porta provoca a reabertura,                      - uma pressão na tecla do telecomando durante a temporização de fecho inicia novamente a temporização.</p> <p>Após a abertura da porta, se as células detectarem uma passagem (segurança de fecho), o fecho só ocorrerá após uma temporização breve (5 s, invariável).                      Se as células não detectarem nenhuma passagem, o fecho da porta efectua-se, de forma automática, após o fim da temporização de fecho programada no parâmetro «t0».                      Se for detectado um obstáculo na zona de alcance das células, a porta não se fecha. O fecho só será possível, depois de removido o obstáculo.</p>
		2: fecho automático	
		3: fecho automático através de células	
P1	Aviso prévio do indicador luminoso cor de laranja	<b>0: sem aviso prévio</b> 1: com aviso prévio de 2 s	Se a garagem der para a via pública, seleccionar obrigatoriamente com aviso prévio: P1=1.
P2	Entrada de segurança	<b>0: não há dispositivo de segurança</b> 1: dispositivo de segurança com auto teste 2: dispositivo de segurança sem auto teste	Se o valor 0 for seleccionado, a entrada de segurança não será considerada. Se o valor 1 for seleccionado, o auto teste do dispositivo efectua-se em cada ciclo de funcionamento. Se o valor 2 for seleccionado: dispositivo de segurança sem auto teste, é obrigatório testar cada 6 meses o bom funcionamento do dispositivo.
P3	Sensibilidade da detecção de obstáculo	0: bastante pouco sensível 1: pouco sensível <b>2: standard</b> 3: muito sensível	No caso de modificação deste parâmetro, deve-se imperativamente efectuar o processo de medida de esforço no fim da instalação ou instalar uma barra apalpadora.
P4	Modo de funcionamento parcial	<b>0: sequencial</b>	Cada pressão na tecla do telecomando provoca o movimento do motor (posição inicial: porta fechada) de acordo com o seguinte ciclo: abertura, paragem, fecho, paragem, abertura...
		1: sequencial + temporização de fecho	O funcionamento em modo fecho automático só é possível com células fotoeléctricas instaladas. Quer dizer P2=1 ou P2=2. Em modo sequencial com temporização de fecho automático: - o fecho da porta efectua-se, de forma automática, após o fim da temporização programada no parâmetro «t2», - uma pressão na tecla do telecomando interrompe o movimento em curso e a temporização de fecho.
P5	Velocidade de fecho	0: da velocidade mais lenta: cerca de 3,5 cm/s a 9: velocidade mais rápida: cerca de 18 cm/s <b>Por defeito, 6: cerca de 12 cm/s</b>	No caso de modificação deste parâmetro, deve-se imperativamente efectuar o processo de medida de esforço no fim da instalação ou instalar uma barra apalpadora.
P6	Posição abertura parcial	Registo da posição real segundo a Fig. 33	
P7	Velocidade de aproximação durante o fecho	0: sem redução da velocidade <b>1: redução da velocidade curta</b> 2: redução da velocidade longart	P7=0: não há redução da velocidade no fim do fecho. P7=1: a velocidade é reduzida durante os 20 últimos centímetros do fecho. P7=2: a velocidade é reduzida durante os 50 últimos centímetros do fecho. No caso de modificação deste parâmetro, deve-se imperativamente efectuar o processo de medida de esforço no fim da instalação ou instalar uma barra apalpadora.

Código	Designação	Valores	Comentários
P8	Velocidade na abertura	0: da velocidade mais lenta: cerca de 3,5 cm/s a <b>9: velocidade mais rápida: cerca de 18 cm/s</b>	
P9	Escolha do sentido de funcionamento (tipo de porta)	<b>0: sentido 1: todos os tipos de portas excepto batentes</b> 1: sentido 2: porta batente	Em caso de modificação deste parâmetro, é necessário efectuar novamente a regulação do fim de curso e a auto-aprendizagem.
PA	Indicação de manutenção necessária	<b>0: sem indicação</b> 1: 100 ciclos de 99: 9900 ciclos (número de ciclos = valor x 100 ciclos)	Se o motor atingir o número de ciclos programado, a iluminação integrada pisca a cada movimento da porta, para assinalar que é necessário efectuar uma manutenção. Para que a iluminação integrada deixe de piscar, é necessário validar ou modificar o valor actual, ou desactivar a indicação de manutenção.
Pb	Deteção de arrombamento	<b>0: sem deteção de arrombamento</b> 1: deteção de arrombamento sensível 2: deteção de arrombamento pouco sensível	A deteção de arrombamento fica operacional 30 segundos depois do fecho da porta. Se for detectado um arrombamento, a sirene é accionada durante 2 minutos. Para interromper a sirene, pressionar uma tecla do telecomando. Se a instalação integrar células fotoeléctricas (P2=2), é imperativo que estejam ligadas à alimentação permanente (consultar o manual do utilizador da sirene).
A0	Acção de segurança antes da abertura (segurança ADMAP)	<b>0: sem efeito</b> 1: movimento rechaçado	Se o valor 1 é seleccionado, a activação da entrada de segurança impede a abertura da porta.
A1	Acção de segurança fecho	1: parada 2: paragem + reabertura parcial <b>3: reabertura total</b>	O valor 1 é proibido em caso de utilização de uma barra apalpadora na entrada de segurança.
A2	Acção deteção de obstáculo no fecho	2: paragem + reabertura parcial <b>3: reabertura total</b>	
t0	Temporização fecho automático funcionamento total	0 a 12 (valor temporização = valor x 10 s) <b>2: 20 s</b>	
t1	Temporização iluminação	0 a 60 (valor temporização = valor x 10 s) <b>6: 60 s</b>	
t2	Temporização fecho automático funcionamento parcial	0 a 12 (valor temporização = valor x 10 s) <b>2: 20 s</b>	

(Texto em negro = valores por defeito)

**Exemplo de programação:** regulação da velocidade de aproximação no fecho "P7" (Fig. 32)

Parametrização de uma zona de redução da velocidade longa "P7" = 2.

**Caso particular: regulação da posição da porta para a abertura parcial (Fig. 33)**

Aceder ao parâmetro "P6" e validar com "OK"

Posicionar a porta na posição de abertura parcial desejada:

- . Uma pulsação longa na tecla "-" provoca o fecho.
- . Uma pulsação longa na tecla "+" provoca a abertura.
- . Validar com "OK".
- . Sair do menu através de "SET".

**Modo marcha forçada (Fig. 34)**

Esta função permite manobrar a porta a qualquer momento (perda de telecomando, falha do dispositivo de segurança...):

- . Uma pulsação longa na tecla "-" provoca o fecho.
- . Uma pulsação longa na tecla "+" provoca a abertura.

**Memorização do telecomando para o funcionamento em «Abertura parcial» (Fig. 35)**

**Memorização do telecomando para o comando da iluminação exterior (Fig. 36)**

**Memorização de um telecomando tipo Telis ou similar (Fig. 37)**

## FUNCIONAMENTOS PARTICULARES

Ver o manual de utilizador página 4.

**Adicionar um telecomando sem acesso à cabeça do motor (consultar a página 5 do manual do utilizador)**

Com um telecomando de tipo Keygo (Fig. 12a)

Com um telecomando de tipo Telis ou equipamento similar (Fig. 12b)

# EXTINÇÃO DOS TELECOMANDOS E DE TODAS AS REGULAÇÕES

## Supressão dos telecomandos **Fig. 38**

Pressionar a tecla "PROG" até a luz piscar (7 s).

Provoca a extinção de todos os telecomandos memorizados.

## Reinicialização de todas as regulações **Fig. 39**

Pressionar a tecla "SET" até se apagar a luz (7 s).

Provoca a extinção da auto-aprendizagem e a volta para os valores por defeito de todos os parâmetros.

## BLOQUEIO DA PROGRAMAÇÃO (Fig. 40)

Permite bloquear as programações (regulação dos fins de curso, auto-aprendizagem, parametrizações).

Pressionar **simultaneamente** as teclas "SET", "+", "-":

- deve-se começar por pressionar "SET".

- a pressão de "+" e "-" deve ocorrer num prazo de 2 s.

Para aceder novamente à programação, repetir o mesmo procedimento.

## REMONTAGEM DAS COBERTURAS (Fig. 41)

Posicionar a antena e montar as coberturas.



*Para uma correcta retransmissão do comando rádio, a antena deve imperativamente ser instalada segundo uma das duas posições indicadas na figura 41.*

## DIAGNÓSTICO

### Visualização dos códigos de funcionamento

Código	Designação	Comentários
C1	Espera de comando	
C2	Abertura da porta	
C3	Espera de fecho da porta	
C4	Fecho da porta	
C5	Deteção de obstáculo	Visualização no momento da deteção de obstáculo e depois durante 30 s.
C6	Entrada de segurança activa	Visualização no momento dum pedido de movimento ou em curso de movimento, quando a entrada de segurança está activa. A visualização mantém-se enquanto a entrada de segurança estiver activa.
C9	Segurança contacto portelo activa	Visualização no momento dum pedido de movimento ou em curso de movimento, quando o contacto do portelo está aberto. A visualização mantém-se enquanto o contacto do portelo ficar aberto.
Ca	Auto teste dispositivo de segurança em curso	Visualização no momento do desenvolvimento do auto teste dos dispositivos de segurança.
Cb	Comando por fio permanente	Indica que a entrada de comando por fio está activada em permanência (contacto fechado). Os comandos que vêm de telecomandos rádio ficam impedidos.
Cd	Funcionamento com bateria de emergência Espera de comando	

### Visualização dos códigos de programação

Código	Designação	Comentários
S1	Espera de regulação	Uma pulsação na tecla "SET" durante 2 s lança o modo auto-aprendizagem.
S2	Modo auto-aprendizagem	Uma pulsação na tecla "OK" permite lançar o ciclo de auto-aprendizagem: a visualização S2 põe-se a piscar durante todo o ciclo. Uma pulsação nas teclas "+" ou "-" permite o comando do motor em marcha forçada.
F0	Espera de memorização do comando à distância para o funcionamento em abertura total	A pressão num botão do comando à distância permite afectar esse botão ao comando de abertura total do motor. Uma nova pressão no botão "PROG" permite passar para o modo "espera de memorização do comando à distância para o funcionamento em abertura parcial: F1".
F1	Espera de memorização do comando à distância para o funcionamento em abertura parcial	A pressão num botão do comando à distância permite afectar esse botão ao comando de abertura parcial do motor. Uma nova pressão no botão "PROG" permite passar para o modo "espera de memorização do comando da iluminação à distância: F2".
F2	Espera de memorização do comando da iluminação à distância	A pressão num botão do comando à distância permite afectar esse botão ao comando da iluminação à distância. Uma nova pressão no botão "PROG" permite passar para o modo "espera de memorização do comando à distância para o funcionamento em abertura total: F0".

## Visualização dos códigos de erros e falhas

Código	Designação	Comentários	O que se deve fazer?
E2	Entrada de segurança activa em permanência	Visualização quando a entrada de segurança é activada durante mais de 3 minutos.	Verificar que nenhum obstáculo provoca uma detecção das células ou da barra apalpadora. Verificar a boa parametrização de "P2" em função do dispositivo ligado na entrada de segurança. Verificar a cablagem dos dispositivos de segurança. Para o caso de células fotoeléctricas, verificar o bom alinhamento das mesmas.
E4	Falha auto teste dispositivo de segurança	O auto teste dos dispositivos de segurança não é correcto.	Verificar a parametrização de "P2" em função do dispositivo ligado à entrada de segurança. Verificar a cablagem dos dispositivos de segurança. Para o caso de células fotoeléctricas, verificar o bom alinhamento das mesmas.
Eb Ec	Outras falhas e defeitos	Estes códigos correspondem a diversas falhas da placa electrónica.	Cortar a alimentação eléctrica (principal + bateria de emergência), esperar uns minutos e voltar a conectar a alimentação. Efectuar um ciclo de auto-aprendizagem. Se a falha persistir, contactar o serviço de assistência técnica da Somfy.
H1	Deteção de arrombamento	Afixação se tiver ocorrido uma acção a partir do exterior da garagem (leitura através de uma nova alimentação de corrente)	Pressionar uma tecla do telecomando memorizado para interromper a sirene. Iniciar um ciclo completo de abertura e fecho da porta.
H2	Deteção de arrombamento	Afixação se tiver ocorrido uma acção a partir do exterior da garagem (leitura através de codificador óptico)	Pressionar uma tecla do telecomando memorizado para interromper a sirene. Iniciar um ciclo completo de abertura e fecho da porta.
CC	Necessidade de manutenção	Afixação se for necessária uma manutenção da instalação. O número de ciclos programado no parâmetro «PA» foi atingido.	Validar ou modificar o valor «PA» actual, ou desactivar a função «Indicação de manutenção necessária».

## Acesso aos dados memorizados

Para aceder aos dados memorizados, seleccionar o parâmetro "Ud" e premer "OK" (Fig. 31).

Dados	Designação
U0	Contador de ciclo total: dezenas e unidade
U1	Contador de ciclo total: milhares, centenas
U2	Contador de ciclo total: centenas de milhares
U3	Contador de ciclo com detecção de obstáculo: dezenas e unidade
U4	Contador de ciclo com detecção de obstáculo: milhares
U5	Número de canais de comando memorizados
d0 a d9	Históricos das 10 últimas falhas
dd	Apagamento do histórico das falhas: premer "OK" durante 7 s (Fig.31).

# CARACTERÍSTICAS TÉCNICAS

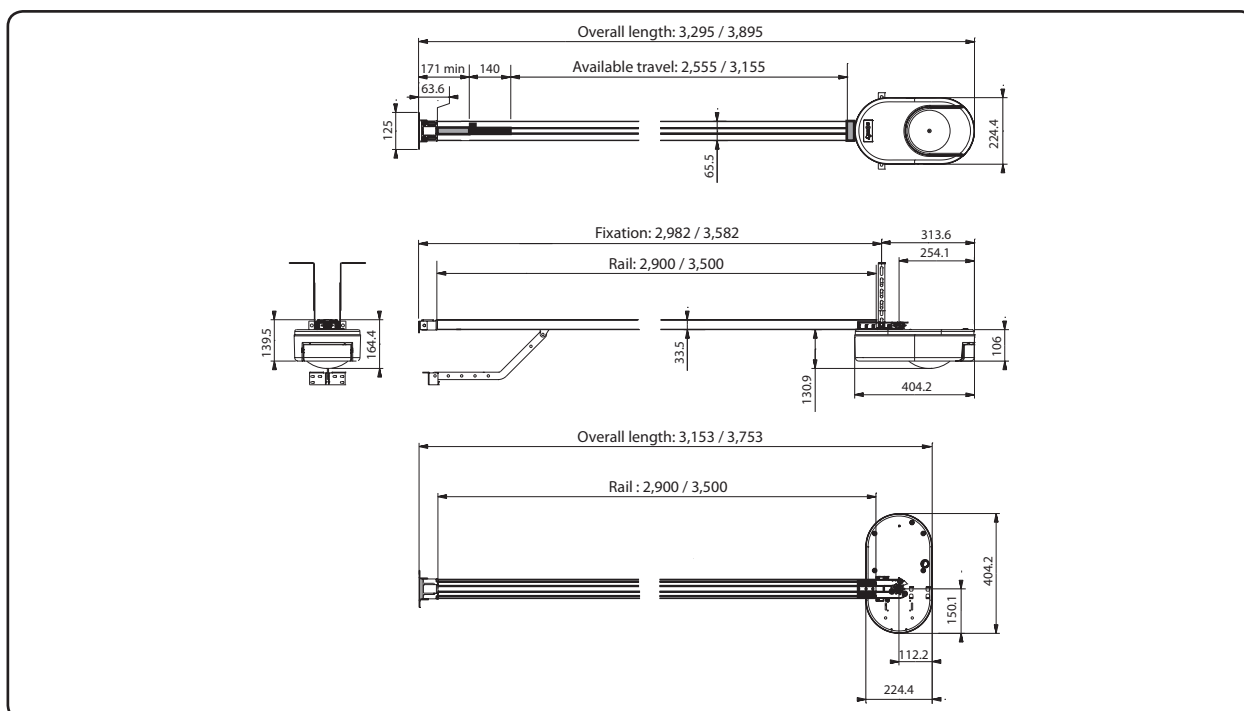
Dexxo Pro 800 RTS

Dexxo Pro 1000 RTS

CARACTERÍSTICAS GERAIS		
Alimentação sector		230 V - 50 Hz
Potência consumida máxima	Standby-Funcionamento	5 W - 600 W (com iluminação exterior 500 W)
Força de tracção	Esforço de ponta	800 N
	Esforço de arranque (1)	650 N
Utilização		Máx 20 Ciclos por dia com carril standard - máx 50 Ciclos por dia com carril alta performance testado para 36500 ciclos com carril standard e 90000 ciclos com carril alta performance
Número de ciclos Abertura/Fecho por dia		18 cm/s
Velocidade máxima		7 botões - ecrã digital 2 caracteres
Interface de programação		- 20 ° C / + 60 ° C - interior seco - IP 20
Condições climáticas de utilização		Batente mecânico na abertura
Fins de curso		Electrónico no fecho: posição de fecho memorizada
Isolamento eléctrico		Classe 2: isolamento duplo <input type="checkbox"/>
Iluminação integrada		230 V / 40 W ; casquilho E14
Frequência rádio Somfy		RTS 433,42 MHz
Número de canais memorizáveis		32
CONEXÕES		
Entrada segurança	Tipo	Contacto seco: NF
	Compatibilidade	Células fotoeléctricas TX/RX- Célula reflex- Barra sensora saída contacto seco
Entrada de segurança portelo		Contacto seco: NF
Entrada de comando por fio		Contacto seco : NA
Saída iluminação exterior		230 V - 500 W - classe 2 <input type="checkbox"/>
Saída indicador luminoso cor de laranja		24 V - 15 W com gestão de luz intermitente integrada
Saída alimentação 24 V pilotada		Sim: para autoteste possível células fotoeléctricas TX/RX
Saída teste entrada de segurança		Sim: para autoteste possível células reflex ou barra sensora
Saída alimentação acessórios		24 V - 500 mA máx
Entrada antena exterior		Sim: compatível antena RTS (Ref. 2400472)
Entrada bateria de emergência	Autonomia	Sim: compatível pack bateria (Ref. 9001001) 24 horas; 5 a 10 ciclos conforme a porta Tempo de carga: 48 h
FUNCIONAMENTO		
Modo marcha forçada		Por pulsação longa no botão de comando do motor
Comando independente da iluminação		Sim para iluminação exterior
Temporização da iluminação (após o movimento)		Programável: 60 s a 600 s
Modo fecho automático		Sim: temporização para fechar novamente, programável de 10 s a 120 s
Aviso prévio indicador luminoso cor de laranja		Programável: sem ou com pré-aviso (duração fixa 2 s)
Funcionamento entrada de segurança	No fecho Antes da abertura (área perigosa de movimento acessível ao público)	Programável: paragem - reabertura parcial - reabertura total Programável: sem efeito ou movimento recusado
Deteção de obstáculos integrada		Sensibilidade regulável: 4 níveis
Funcionamento em caso de deteção de obstáculos		Programável: reabertura parcial ou reabertura total
Comando abertura parcial pré-determinada		Sim possível seleccionar: posição abertura parcial ajustável
Arranque progressivo		Sim
Velocidade de abertura		Programável de 3,5 cm/s a 18 cm/s: 10 valores possíveis
Velocidade de fecho		Programável de 3,5 cm/s a 18 cm/s: 10 valores possíveis
Velocidade de aproximação no fecho		Programável: sem redução da velocidade, zona de redução da velocidade curta (30 cm), zona de redução da velocidade longa (50 cm)
Diagnóstico		Memorização e consulta dos dados: contador de ciclos, contador de ciclos com deteção de obstáculos, número de canais rádio memorizados, histórico das 10 últimas falhas registadas.

(1) Esforço máximo que permite o arranque, em seguida o movimento da porta de pelo menos 5 cm (segundo a definição RAL-GZ).

## Dimensões





# ΠΙΝΑΚΑΣ ΠΕΡΙΕΧΟΜΕΝΩΝ

<b>ΓΕΝΙΚΗ ΠΑΡΟΥΣΙΑΣΗ</b>	<b>2</b>
<b>ΟΔΗΓΙΕΣ ΑΣΦΑΛΕΙΑΣ</b>	<b>2</b>
Προειδοποίηση	2
Οδηγίες ασφαλείας	2
<b>ΠΕΡΙΓΡΑΦΗ ΤΟΥ ΠΡΟΪΟΝΤΟΣ</b>	<b>2</b>
Σύνθεση και περιγραφή εξαρτημάτων	2
Τύποι & διαστάσεις πορτών	2
<b>ΣΗΜΕΙΑ ΓΙΑ ΕΛΕΓΧΟ ΠΡΙΝ ΤΗΝ ΕΓΚΑΤΑΣΤΑΣΗ</b>	<b>3</b>
Προκαταρκτικοί έλεγχοι	3
Οδηγίες ασφαλείας	3
<b>ΕΓΚΑΤΑΣΤΑΣΗ</b>	<b>3</b>
Ύψος εγκατάστασης	3
Περιγραφή των διαφόρων σταδίων εγκατάστασης	3
<b>ΠΡΟΓΡΑΜΜΑΤΙΣΜΟΣ</b>	<b>5</b>
Περιγραφή των πλήκτρων προγραμματισμού	5
Ρύθμιση τέρματος διαδρομής και στιγμιαία εκμάθηση	5
Απομνημόνευση των τηλεχειριστηρίων για τη λειτουργία με «Πλήρες άνοιγμα»	5
<b>ΔΟΚΙΜΗ ΛΕΙΤΟΥΡΓΙΑΣ</b>	<b>5</b>
Χρήση των τηλεχειριστηρίων	5
Λειτουργία της ανίχνευσης εμποδίου	5
Λειτουργία του ενσωματωμένου φωτισμού	5
<b>ΣΥΝΔΕΣΗ ΤΩΝ ΠΕΡΙΦΕΡΙΚΩΝ ΣΤΟΙΧΕΙΩΝ</b>	<b>6</b>
Περιγραφή των διαφόρων περιφερικών εξαρτημάτων	6
Ηλεκτρική σύνδεση των διαφόρων περιφερικών εξαρτημάτων	6
<b>ΡΥΘΜΙΣΗ ΠΑΡΑΜΕΤΡΩΝ</b>	<b>7</b>
Γενικό σχέδιο ρύθμισης παραμέτρων	7
Έννοια των διαφόρων παραμέτρων	7
<b>ΣΒΗΣΙΜΟ ΤΩΝ ΤΗΛΕΧΕΙΡΙΣΤΗΡΙΩΝ ΚΑΙ ΟΛΩΝ ΤΩΝ ΡΥΘΜΙΣΕΩΝ</b>	<b>9</b>
Διαγραφή των τηλεχειριστηρίων	9
Επαναφορά όλων των ρυθμίσεων στην αρχική κατάσταση	9
<b>ΚΛΕΙΔΩΜΑ ΤΟΥ ΠΡΟΓΡΑΜΜΑΤΙΣΜΟΥ</b>	<b>9</b>
<b>ΕΠΑΝΑΤΟΠΟΘΕΤΗΣΗ ΤΩΝ ΚΑΛΥΜΜΑΤΩΝ</b>	<b>9</b>
<b>ΔΙΑΓΝΩΣΗ</b>	<b>9</b>
Ένδειξη των κωδικών λειτουργίας	9
Ένδειξη των κωδικών προγραμματισμού	9
Ένδειξη των κωδικών σφαλμάτων και βλαβών	10
Πρόσβαση στα στοιχεία της μνήμης	10
<b>ΤΕΧΝΙΚΑ ΧΑΡΑΚΤΗΡΙΣΤΙΚΑ</b>	<b>11</b>
Διαστάσεις	11

## ΓΕΝΙΚΗ ΠΑΡΟΥΣΙΑΣΗ

Αυτό το προϊόν συμφωνεί με το πρότυπο "ασφάλεια, ειδικοί κανονισμοί για τα μοτέρ αυτόματου ανοίγματος & κλεισίματος πορτών γκαράζ που ανοίγουν κάθετα, για χρήση σε κατοικία" (πρότυπο EN 60335-2.95). Αυτό το προϊόν όταν τοποθετείται σύμφωνα με τις οδηγίες και την "καρτέλα ελέγχου της εγκατάστασης", η εγκατάσταση συμφωνεί με τα πρότυπα οδηγιών EN 13241-1 και EN 12453.

Οι οδηγίες που αναφέρονται στο εγχειρίδιο εγκατάστασης και χρήσης του προϊόντος, έχουν σαν σκοπό την τήρηση των παραπάνω προτύπων, όπως και την αποφυγή για υλικές ζημιές της περιουσίας και τραυματισμό των ατόμων. Σε περίπτωση μη τήρησης αυτών των οδηγιών, η Somfy δεν φέρει καμία ευθύνη για ζημιές που τυχόν προκληθούν. Το προϊόν Dexxo Pro πρέπει να εγκατασταθεί στο εσωτερικό του γκαράζ με ενσωματωμένο εφεδρικό σύστημα ελέγχου.

Δια της παρούσης η SOMFY, δηλώνει ότι η παρούσα συσκευή συμμορφώνεται με τις ουσιαστικές απαιτήσεις και τις άλλες σχετικές διατάξεις της οδηγίας 1999/5/CE. Η σχετική Δήλωση Συμμόρφωσης είναι διαθέσιμη στο διαδίκτυο με διεύθυνση [www.somfy.com/ce](http://www.somfy.com/ce) (Dexxo Pro). Κατάλληλο για την Ευρωπαϊκή Ένωση και την Ελβετία.

## ΟΔΗΓΙΕΣ ΑΣΦΑΛΕΙΑΣ

### Προειδοποίηση

Σημαντικές οδηγίες ασφαλείας. Ακολουθείτε πιστά τις οδηγίες διότι η τυχόν λάθος εγκατάσταση μπορεί να οδηγήσει σε σοβαρό τραυματισμό.

### Οδηγίες ασφαλείας

Πριν εγκαταστήσετε το μοτέρ, αφαιρέστε όλα τα περιττά σκοινιά ή αλυσίδες και θέστε εκτός λειτουργίας κάθε εξοπλισμό που δεν χρειάζεται για την ηλεκτροκινούμενη λειτουργία της πόρτας.

Πριν εγκαταστήσετε το μοτέρ, βεβαιωθείτε ότι το κινούμενο τμήμα είναι σε καλή μηχανική κατάσταση, ότι είναι σωστά τοποθετημένο & ζυγοσταθμισμένο και ανοίγει και κλείνει σωστά.

Τοποθετήστε τα πλήκτρα ελέγχου σε απόσταση τουλάχιστον 1,5 m από το δάπεδο σε ορατό σημείο της εισόδου αλλά μακριά από τα κινητά τμήματα.

Τοποθετήστε το σχοινί του συστήματος απεμπλοκής σε απόσταση το πολύ 1,8 m από το δάπεδο.

Σε περίπτωση που το αποσπώμενο σύστημα χειροκίνητης απεμπλοκής (απασφάλισης) χρησιμοποιηθεί, συνιστάται να το τοποθετείτε ή να το αποθηκεύετε, δίπλα στην πόρτα.

Επικολλήστε μόνιμα την ετικέτα για την διαδικασία χειροκίνητης απασφάλισης κοντά στον μηχανισμό απασφάλισης.

Επικολλήστε μόνιμα τις ετικέτες προειδοποίησης κατά της σύνθλιψης κοντά στα τυχόν σταθερά συστήματα ελέγχου σε σημείο που να τα βλέπει ο χρήστης.

Μετά την εγκατάσταση, βεβαιωθείτε ότι ο μηχανισμός είναι σωστά ρυθμισμένος και ότι το μοτέρ αλλάζει φορά κίνησης όταν η πόρτα συναντά εμπόδιο ύψους 50 mm από το δάπεδο.

Μετά την εγκατάσταση, βεβαιωθείτε ότι τα σημεία της πόρτας δεν προεξέχει πάνω από πεζοδρόμιο ή δημόσιο δρόμο.

Μετά την εγκατάσταση, βεβαιωθείτε ότι το μοτέρ εμποδίζει ή σταματά την κίνηση ανοίγματος όταν η πόρτα είναι φορτωμένη με βάρος 20 kg στερεωμένο στη μέση της κάτω άκρης της πόρτας.

## ΠΕΡΙΓΡΑΦΗ ΤΟΥ ΠΡΟΪΟΝΤΟΣ

### Σύνθεση και περιγραφή εξαρτημάτων **εικ. 1**

Σημ.	Τεμάχια	Περιγραφή	Σημ.	Τεμάχια	Περιγραφή
1	1	Κεφαλή μοτέρ	15	6	Παξμάδι HU8
2	1	Κάλυμμα κεφαλής μοτέρ	16	2	Άξονας
3	1	Κάλυμμα ενσωματωμένου φωτισμού	17	2	Δακτυλιωτές ασφάλειες
4	1	Στήριγμα πρεκκιού	19	4	Αυτοδιατρική βίδα Ø 4x8
5	1	Στήριγμα πόρτας	20	2	Βίδα για πλαστικό Ø 3,5x12
6	2	Γωνία στήριξης οροφής	21a	1	Μονοκόμματη ράγα
7	2	Γωνία στήριξης κεφαλής μοτέρ	21b	1	Ράγα σε 2 τμήματα
8	1	Χειροκίνητο σύστημα αποσύμπλεξης (απασφάλισης)	21b1	1	Συνδετική θήκη
9	1	Βραχίονας σύνδεσης	21b2	8	Αυτοδιατρική βίδα Ø 4x8
10	1	Στοπ τέρματος διαδρομής	22	2	Αυτοσφαιλιζόμενο παξμάδι HM8
11	4	Κουζινέτο συγκράτησης οδηγού αλυσίδας	23	2	Γωνία
12	1	Καλώδιο τροφοδότησης	24	1	Αποστάτης
13	4	Βίδα εξάγων τύπου M8x16	25	2	Τηλεχειριστήριο Keygo
14	4	Βίδα εξάγων M8x12 & ροδέλα	26	1	Λάμπα 230 V 40 W τύπου E14

### Τύποι & διαστάσεις πορτών **εικ. 2**

#### Τύπος πορτών (εικ. 2)

**A:** Μονοκόμματη προβαλλόμενη πόρτα.

**B:** σπαστή πόρτα:

- αν το σχέδιο του πάνω φύλλου είναι ειδικό, χρησιμοποιήστε "το πέλαμα στήριξης για σπαστή πόρτα" κωδ.: 9009390.

- αν η επιφάνεια της πόρτας είναι **πάνω από 10 m<sup>2</sup>**, χρησιμοποιήστε τον "προσαρμογέα σπαστής πόρτας" κωδ.: 2400873.

**C:** πλευρική πόρτα:

- για τοποθέτηση σε τοίχο οπισθοδρόμησης, χρησιμοποιήστε:

- ράγα μετάδοσης με ιμάντα

- τον "ρυθμιζόμενο γωνιώδη βραχίονα" κωδ.: 9014481.

- για τοποθέτηση στην οροφή, χρησιμοποιήστε:

- τον "αρθρωτό βραχίονα" κωδ.: 9014482.

**D:** Δίφυλλη πόρτα. Χρησιμοποιήστε το εξάρτημα με κωδ.: 2400459.

**E:** Μονοκόμματη και μη προβαλλόμενη πόρτα. Χρησιμοποιήστε:

- ράγα μετάδοσης υψηλών αποδόσεων



- "το κιτ Μονοκόμματης και μη προβαλλόμενης πόρτας" κωδ.: 2400458.

Ορισμένες από αυτές τις πόρτες ενδέχεται να μην μπορούν να εξοπλιστούν με μοτέρ. Συμβουλευτείτε τις τεχνικές υπηρεσίες της SOMFY.



### Πίνακας επιλογής μοτέρ & ράγας (εικ. 3)

Για το μέγιστο ύψος πορτών, μπορεί να βελτιστοποιηθεί η διαδρομή του μοτέρ:

- Στερεώνοντας την κεφαλή μοτέρ στις 90° (εικ. 7- .
- Στερεώνοντας το στήριγμα πρεκιού στην οροφή σε απόσταση 200 mm το πολύ πίσω από το πρέκι. (εικ. 5 - .
- Κόβοντας το βραχίονα σύνδεσης.

## ΣΗΜΕΙΑ ΓΙΑ ΕΛΕΓΧΟ ΠΡΙΝ ΤΗΝ ΕΓΚΑΤΑΣΤΑΣΗ

### Προκαταρκτικοί έλεγχοι

Η πόρτα του γκαράζ πρέπει να λειτουργεί χειροκίνητα χωρίς δύσκολο σημείο. Ελέγξτε αν είναι σε καλή μηχανική κατάσταση (τροχαλίες, στηρίγματα κλπ) και αν είναι απόλυτα ζυγισταθμισμένη (τέντωμα του ελατηρίου).



**Η τυχόν επέμβαση στα ελατήρια της πόρτας μπορεί να δημιουργήσει κίνδυνο ατυχήματος (πτώση της πόρτας).**

Οι δομές του γκαράζ σας (τοίχοι, πρέκι, εσωτερικοί τοίχοι, δοκάρια, ράγες πόρτας κλπ) επιτρέπουν τη γερή στερέωση του Dexxo Pro. Ενισχύστε τις αν χρειαστεί.

Μην πισιλιζετε νερό στο σύστημα. Μην εγκαταστήσετε το Dexxo Pro σε σημείο όπου υπάρχει κίνδυνος να πεταχτεί πάνω του νερό.

Το κάτω μέρος της πόρτας πρέπει να διαθέτει λάστιχο προκειμένου να αποτρέπεται η γυμνή επαφή με το δάπεδο.

Αν η πόρτα του γκαράζ αποτελεί τη μοναδική πρόσβαση στο γκαράζ, προβλέψτε εξωτερικό σύστημα απεμπλοκής (εξωτερική κλειδαριά που να κλείνει με κλειδί (κωδ. 9012961) ή εξωτερικό σύστημα ξεκλειδώματος κωδ. 9012962) και τοποθετήστε εφεδρική μπαταρία (κωδ. 9001001).

Αν η πόρτα του γκαράζ διαθέτει πορτάκι πεζών, η πόρτα πρέπει να έχει σύστημα που να αποκλείει την κίνησή της όταν το πορτάκι είναι ανοικτό (σύστημα ασφαλείας για πόρτα πεζών με κωδ.:2400657).

Αν η πόρτα του γκαράζ βλέπει προς το δρόμο, πρέπει να εγκαταστήσετε σύστημα σηματοδότησης, όπως πορτοκαλί προειδοποιητικό φως (κωδ. 9015171).

Αν η πόρτα του γκαράζ λειτουργεί αυτόματα, πρέπει να εγκαταστήσετε σύστημα ασφαλείας με φωτοκύτταρα (κωδ. 9014994 ή κωδ. 9013647) και σύστημα σηματοδότησης με πορτοκαλί προειδοποιητικό φως.

Βεβαιωθείτε ότι στην πόρτα δεν υπάρχουν επικίνδυνα προσβάσιμα σημεία, και αν υπάρχουν προφυλάξτε τα.



**Το ξεκλείδωμα της πόρτας μπορεί να προκαλέσει ανεξέλεγκτη κίνηση αν δεν είναι σωστά ζυγισταθμισμένη..**

### Οδηγίες ασφαλείας

Οι οδηγίες ασφαλείας πρέπει να τηρούνται καθ' όλη τη διάρκεια της εγκατάστασης:

- Αφαιρέστε τα κοσμημάτα σας (μπρασελέ, αλυσίδα ή άλλα) κατά τη διάρκεια της εγκατάστασης.
- Για τις διαδικασίες διάτρησης και συγκόλλησης, φοράτε ειδικά γυαλιά και κατάλληλους προστατευτικούς εξοπλισμούς.
- Χρησιμοποιείτε κατάλληλα εργαλεία.
- Πιάνετε με προφύλαξη το σύστημα μοτέρ για να αποφύγετε κάθε κίνδυνο τραυματισμού.
- Μη συνδέετε το ρεύμα ή την εφεδρική μπαταρία πριν ολοκληρώσετε τη διαδικασία συναρμολόγησης.
- Μην χρησιμοποιήσετε σε καμία περίπτωση σύστημα καθαρισμού με νερό σε υψηλή πίεση.

## ΕΓΚΑΤΑΣΤΑΣΗ

### Ύψος εγκατάστασης **ΕΙΚ. 4**


Μετρήστε την απόσταση "D" μεταξύ του υψηλότερου σημείου της πόρτας και της οροφής.

Αν το "D" κυμαίνεται μεταξύ 35 και 200 mm, στερεώστε το σύστημα απευθείας στην οροφή.

Αν το "D" είναι πάνω από 200 mm, στερεώστε το σύστημα με τρόπο ώστε το ύψος "H" να κυμαίνεται μεταξύ 10 και 200 mm.

### Περιγραφή των διαφόρων σταδίων εγκατάστασης **ΕΙΚ. 5 έως 15**

#### Στερέωση του στηρίγματος πρεκιού και του στηρίγματος πόρτας (εικ. 5)

Σε περίπτωση στερέωσης απευθείας στην οροφή (στερέωση στην οροφή), το στήριγμα πρεκιού μπορεί να στερεωθεί στην οροφή και αν χρειαστεί σε απόσταση 200 mm το πολύ από το πρέκι. (εικ. 5 - .

#### Συναρμολόγηση της ράγας σε 2 τμήματα (εικ. 6)

[1] [2] [3]. Αναπτύξτε τα 2 τμήματα της ράγας.



**Βεβαιωθείτε ότι η αλυσίδα ή ο ιμάντας δεν διασταυρώνονται.**

[4]. Συναρμολογήστε τα 2 τμήματα της ράγας με τη συνδετική θήκη.

[5]. Στερεώστε ολόκληρο το σύστημα με τις 8 βίδες.

[6]. Σφίξτε το παξιμάδι, για να τετνώσετε την αλυσίδα ή τον ιμάντα. Ο ιμάντας που συνθλίβεται πρέπει να έχει μήκος 18 και 20 χιλ.

Η βίδα στερέωσης δεν πρέπει να εισέρχεται στη ράγα (μην τρυπάτε).

Σε περίπτωση εγκατάστασης απευθείας στην οροφή, μη χρησιμοποιήσετε τη βίδα στερέωσης της συνδετικής θήκης.

Συναρμολόγηση της ράγας στην κεφαλή του μοτέρ (εικ. 7)

Στερέωση ολόκληρου του συστήματος στην οροφή του γκαράζ (εικ. 8 έως 10)

Στερέωση στο στήριγμα πρεκιού (εικ. 8)

Στερέωση στην οροφή

- Απευθείας στην οροφή: στερέωση απευθείας στην οροφή με τη βοήθεια της ράγας (εικ. 9). Είναι δυνατόν να προσθέσετε σημεία στερέωσης στο ύψος της κεφαλής του μοτέρ (εικ. 9 - **i**).
- Με σημεία στερέωσης από την οροφή: δύο πιθανότητες:
  - στερέωση στο ύψος της κεφαλής μοτέρ (εικ. 10 - **a**).
  - στερέωση στο ύψος της ράγας (εικ. 10 - **b**).Για ενδιάμεση στερέωση που μπορεί να ρυθμιστεί κατά μήκος της ράγας ή στερέωση η μεταξύ 250 mm και 550 mm, χρησιμοποιήστε το σετ στερέωσης στην οροφή κωδ.: 9014462 (εικ. 10 - **i**).

Στερέωση του βραχίονα στην πόρτα με το βαγόνι κίνησης (εικ. 11)

- [1]. Αποσυμπλέξτε το βαγόνι κίνησης με το χειροκίνητο σύστημα απεμπλοκής.
- [2]. Φέρτε το βαγόνι κίνησης στο ύψος της πόρτας.
- [3]. Στερεώστε το βραχίονα στο στήριγμα πόρτας με το βαγόνι κίνησης.

Ρύθμιση και στερέωση του στοπ ανοίγματος (εικ. 12)

- [1]. Απεμπλέξτε το βαγόνι κίνησης από τη σαίτα με το χειροκίνητο σύστημα απεμπλοκής και φέρτε την πόρτα σε ανοικτή θέση. Μην ανοίξετε την πόρτα μέχρι τέρμα, αλλά φέρτε την σε θέση που να μην αγγίζει τα στοπ της.
- [2]. Περάστε το στοπ (10) στη ράγα και κατόπιν γυρίστε το κατά 90°.
- [3]. Τοποθετήστε το στοπ κόντρα στο κινητό τμήμα.
- [4]. Σφίξτε μέτρια την βίδα στερέωσης.



**Μην σφίξτε την βίδα στερέωσης μέχρι τέρμα. Το υπερβολικό σφίξιμο μπορεί να χαλάσει την βίδα και να οδηγήσει σε ανεπαρκές κράτημα του στοπ.**

Τοποθέτηση των τάκων συγκράτησης αλυσίδας (εικ. 13)

Περίπτωση ραγών με αλυσίδα μόνο.

Αυτά τα κουζινέτα επιτρέπουν την μείωση των παρασιτικών θορύβων λόγω τριβής της αλυσίδας στη ράγα. Τοποθετήστε τα κουζινέτα στην πρώτη οπή της ράγας στο εξωτερικό των τερμάτων διαδρομής.

Φροντίστε να μπήξετε το κουζινέτο στο μέγιστο με τρόπο ώστε ο πέιρος τοποθέτησης να ξεπερνά το εξωτερικό της ράγας.

Έλεγχος του τεντώματος της αλυσίδας ή του ιμάντα (εικ. 14)

Οι ράγες παραδίδονται με ήδη ρυθμισμένο και ελεγμένο τέντωμα της αλυσίδας ή του ιμάντα. Αν χρειαστεί, διορθώστε το τέντωμα.



**Ο ιμάντας ή το ελατήριο τεντώματος δεν πρέπει ποτέ να είναι τελείως τεντωμένα κατά τη διάρκεια της λειτουργίας.**

Ηλεκτρική σύνδεση με το ρεύμα (εικ. 15)

- [1]. Αφαιρέστε το κάλυμμα μοτέρ και βγάλτε το προστατευτικό φύλλο.
- [2]. Τοποθετήστε τη λάμπα.
- [3]. Συνδέστε με το ρεύμα.



**Συνδέστε το καλώδιο τροφοδότησης με ξεχωριστή πρίζα η οποία να πληροί τις σχετικές ηλεκτρικές απαιτήσεις. Η ηλεκτρική γραμμή πρέπει να διαθέτει προστασία (ασφάλεια ή διακόπτη 16 A) με διαφορικό σύστημα (30 mA).**



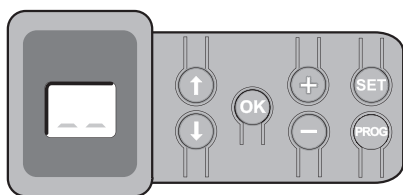
**Πρέπει να προβλέπεται μηχανισμός αποσύνδεσης του ρεύματος για πάσης φύσεως πόλους:  
· ή με καλώδιο τροφοδότησης που να διαθέτει φιν πρίζας ρεύματος  
· ή με διακόπτη ο οποίος να διασφαλίζει απόσταση χωρισμού των επαφών τουλάχιστον 3 mm σε κάθε πόλο (βλέπε πρότυπο EN60335-1).**



**Βεβαιωθείτε ότι το χειροκίνητο σύστημα απεμπλοκής βρίσκεται σε μέγιστο ύψος 1,80 m από το δάπεδο. Αν χρειαστεί, μακρύνετε το κορδόνι.**

## ΠΡΟΓΡΑΜΜΑΤΙΣΜΟΣ

### Περιγραφή των πλήκτρων προγραμματισμού



PROG

- . Πάτημα 2 δευτ.: εισαγωγή των τηλεχειριστηρίων στη μνήμη
- . Πάτημα 7 δευτ.: διαγραφή των τηλεχειριστηρίων

SET

- . Πάτημα 0,5 δευτ.: είσοδος και έξοδος από το μενού ρύθμισης παραμέτρων
- . Πάτημα 2 δευτ.: έναρξη κύκλου προγραμματισμού ορίων
- . Πάτημα 7 δευτ.: σβήσιμο προγραμματισμού ορίων και παραμέτρων
- . Διακοπή κύκλου στιγμιαίας εκμάθησης

↑

↓

- . Επιλογή ρύθμισης

-

+

- . Αλλαγή της τιμής ρύθμισης
- . Χρήση της χειροκίνητης λειτουργίας

OK

- . Έναρξη κύκλου προγραμματισμού ορίων
- . Επικύρωση επιλογής ρύθμισης
- . Επικύρωση τιμής ρύθμισης

### Ρύθμιση τέρματος διαδρομής και στιγμιαία εκμάθηση **εικ. 16**



*Σε περίπτωση δίφυλλης πόρτας, αλλάξτε την παράμετρο P9 πριν κάνετε την στιγμιαία εκμάθηση.*

[1]. Πατήστε το πλήκτρο “SET” μέχρι να ανάψει η λάμπα (2 δευτ.).  
Η οθόνη εμφανίζει “S2”.

[2]. Ελέγχετε το μοτέρ με τα πλήκτρα “+” ή “-” ούτως ώστε η σαίτα μετάδοσης να έλθει να εμπλακεί στο κινητό τμήμα και να φέρει την πόρτα στην θέση κλειστή.

- το παρατεταμένο πάτημα του πλήκτρου “-” προκαλεί τη μετακίνηση με τη φορά του **κλεισίματος**.  
**Αφήστε ελεύθερο το κουμπί “-” πριν εξαναγκάσει το μοτέρ την πόρτα.**
- το παρατεταμένο πάτημα του πλήκτρου “+” προκαλεί τη μετακίνηση με τη φορά του **ανοίγματος**.

[3]. Ρυθμίστε την θέση κλειστή με τα πλήκτρα “+” ή “-”.

**Αφήστε ελεύθερο το κουμπί “-” πριν εξαναγκάσει το μοτέρ την πόρτα.**

[4]. Πατήστε το “OK” για να επικυρώσετε το τέρμα διαδρομής κλεισίματος και να ξεκινήσετε τον κύκλο στιγμιαίας εκμάθησης.  
Η πόρτα κάνει ένα πλήρη κύκλο Ανοίγματος Κλεισίματος.

- Αν ο προγραμματισμός ορίων είναι σωστός η ψηφιακή ένδειξη δείχνει “C1”.
- Αν ο κύκλος προγραμματισμού ορίων δεν εξελίχθηκε σωστά η ψηφιακή ένδειξη δείχνει “S1”.

Κατά τη διάρκεια του κύκλου προγραμματισμού ορίων:

- Αν η πόρτα είναι σε κίνηση, το πάτημα οποιουδήποτε πλήκτρου σταματάει την κίνηση και διακόπτει τον κύκλο προγραμματισμού ορίων.
- Αν η πόρτα είναι σταματημένη, το πάτημα του “SET” προκαλεί την έξοδο από τον κύκλο προγραμματισμού ορίων.

Είναι δυνατόν να αποκτήσετε πρόσβαση στη λειτουργία προγραμματισμού ορίων ανά πάσα στιγμή ακόμα και όταν έχει ήδη γίνει ο κύκλος προγραμματισμού ορίων και η ψηφιακή ένδειξη δείξει “C1”.

### Απομνημόνευση των τηλεχειριστηρίων για τη λειτουργία με «Πλήρες άνοιγμα» **εικ. 17**

Είναι δυνατόν να εισάγετε μέχρι 32 κανάλια ελέγχου.

Η εκτέλεση αυτής της διαδικασίας με κανάλι που είναι ήδη στη μνήμη προκαλεί το σβήσιμο του καναλιού.

**Σε αυτό το στάδιο εγκατάστασης, το μοτέρ Dexxo Pro είναι πλέον έτοιμο να λειτουργήσει.**

## ΔΟΚΙΜΗ ΛΕΙΤΟΥΡΓΙΑΣ

### Χρήση των τηλεχειριστηρίων **εικ. 18**

#### Λειτουργία της ανίχνευσης εμποδίου **εικ. 19 και 20**

Η ανίχνευση εμποδίου κατά το άνοιγμα προκαλεί το σταμάτημα της πόρτας (**εικ. 19**).

Η ανίχνευση εμποδίου κατά το κλείσιμο προκαλεί καινούργιο άνοιγμα της πόρτας (**εικ. 20**).

Βεβαιωθείτε ότι η ανίχνευση εμποδίου λειτουργεί όταν η πόρτα συναντήσει εμπόδιο ύψους 50 mm τοποθετημένο στο δάπεδο.

#### Λειτουργία του ενσωματωμένου φωτισμού

Ο φωτισμός ανάβει κάθε φορά που μπαίνει μπροστά το μοτέρ. Σβήνει αυτόματα μετά από ένα λεπτό μετά το τέλος της κίνησης της πόρτας. Ο χρονισμός αυτός ρυθμίζεται (βλέπε κεφάλαιο ρύθμιση παραμέτρων). Η επαναληπτική χρήση η οποία επιτρέπει το συνεχές άναμμα της λάμπας μπορεί να προκαλέσει το αυτόματο σβήσιμο λόγω κυκλώματος θερμικής προστασίας.

# ΣΥΝΔΕΣΗ ΤΩΝ ΠΕΡΙΦΕΡΙΚΩΝ ΣΤΟΙΧΕΙΩΝ

## Περιγραφή των διαφόρων περιφερικών εξαρτημάτων **εικ. 21**

Σημ.	Περιγραφή	Σημ.	Περιγραφή
1	Πορτοκαλί προειδοποιητικό φως	7	Σύστημα ασφαλείας για πόρτα πεζών
2	Εξωτερικός φωτισμός	8	Σέτ φωτοκυττάρων
3	Σύστημα ψηφιακού κωδικού με πληκτρολόγιο	9	Φωτοκύτταρο με ανακλαστήρα
4	Διακόπτης με κλειδί	10	Πρεσοστάτης ασφαλείας
5	Κεραία	11	Σειρήνα
6	Μπαταρία		

## Ηλεκτρική σύνδεση των διαφόρων περιφερικών εξαρτημάτων **εικ. 21 έως 30**

Κόβετε το ηλεκτρικό ρεύμα πριν από οποιαδήποτε επέμβαση στις περιφερικές συσκευές. Αν η ένδειξη παραμένει σβηστή (βραχυκύκλωμα ή αναστροφή πολικότητας).

### Γενικό ηλεκτρικό σχέδιο (εικ. 21)

#### Φωτοκύτταρα (εικ. 22)

Είναι δυνατόν να γίνουν δύο τύποι σύνδεσης:

**A:** Κανονικός (χωρίς αυτόματη δοκιμή): προγραμματίστε την παράμετρο “P2” = 2.

**B:** Με αυτόματη δοκιμή: προγραμματίστε την παράμετρο “P2” = 1.

Επιτρέπει την εκτέλεση αυτόματης δοκιμής της λειτουργίας του φωτοκυττάρου κίνηση της πόρτας.

Αν η δοκιμή λειτουργίας είναι αρνητική, δεν είναι δυνατή καμία κίνηση της πόρτας.

#### Φωτοκύτταρο με ανακλαστήρα (εικ. 23)

Με αυτόματη δοκιμή: προγραμματίστε την παράμετρο “P2” = 1.

Επιτρέπει την εκτέλεση αυτόματης δοκιμής της λειτουργίας του φωτοκυττάρου με κάθε κίνηση της πόρτας.

Αν η δοκιμή λειτουργίας είναι αρνητική, δεν είναι δυνατή καμία κίνηση της πόρτας.

#### Πρεσοστάτης ασφαλείας (εικ. 24)

Με αυτόματη δοκιμή: προγραμματίστε την παράμετρο “P2” = 1.

Επιτρέπει την εκτέλεση αυτόματης δοκιμής της λειτουργίας του πρεσοστάτη ασφαλείας με κάθε κίνηση της πόρτας.

Αν η δοκιμή λειτουργίας είναι αρνητική, δεν είναι δυνατός κανένας χειρισμός της πόρτας.



**Πρέπει οπωσδήποτε να προγραμματιστεί η παράμετρος “P2” για να ληφθούν σωστά υπόψη τα φωτοκύτταρα ή ο πρεσοστάτης ασφαλείας.**

#### Πορτοκαλί προειδοποιητικό φως (εικ. 25)

Προγραμματίστε την παράμετρο “P1” ανάλογα με τον τρόπο λειτουργίας που θέλετε:

• Χωρίς προειδοποίηση πριν την κίνηση της πόρτας: “P1” = 0.

• Με προειδοποίηση 2 δευτ. πριν την κίνηση της πόρτας: “P1” = 1.

#### Σύστημα ψηφιακού κωδικού με πληκτρολόγιο (εικ. 26)

#### Σύστημα ασφαλείας για πόρτα πεζών (εικ. 27)

Κατά την τοποθέτηση της επαφής στο πορτάκι, θα πρέπει να συνδεθεί, αντί της θέσης της γέφυρας, μεταξύ των ακροδεκτών 5 και 6.



**Αν απομακρυνθεί η επαφή από το πορτάκι, πρέπει οπωσδήποτε να γίνει η γέφυρα μεταξύ των ακροδεκτών 5 και 6.**

#### Μπαταρία (εικ. 28)

#### Κεραία (εικ. 29)

#### Εξωτερικός φωτισμός (εικ. 30)

Ο τυχόν συνδεδεμένος φωτισμός πρέπει να είναι Κατηγορίας 2 (διπλή μόνωση).

Μπορούν να συνδεθούν διάφοροι φωτισμοί χωρίς όμως να υπερβαίνουν συνολικά τα 500 W.

#### Σειρήνα

Για περισσότερες λεπτομέρειες σχετικά με τη σύνδεση της σειρήνας, συμβουλευθείτε το εγχειρίδιο εγκατάστασής της.

Προγραμματίστε την παράμετρο «Pb» για να ενεργοποιήσετε τη σειρήνα:

• Ανενεργή σειρήνα «Pb» = 0.

• Ενεργή σειρήνα: «Pb» = 1 ή «Pb» = 2.

# ΡΥΘΜΙΣΗ ΠΑΡΑΜΕΤΡΩΝ

## Γενικό σχέδιο ρύθμισης παραμέτρων ΕΙΚ. 31

### Έννοια των διαφόρων παραμέτρων

Κωδικός	Ονομασία	Τιμές	Σχόλια
P0	Τρόπος ολικής λειτουργίας	<b>0: κυκλική εντολή</b>	Κάθε πάτημα του πλήκτρου του τηλεχειριστηρίου προκαλεί την κίνηση του μοτέρ (αρχική θέση: κλειστή πόρτα) σύμφωνα με τον ακόλουθο κύκλο: άνοιγμα, διακοπή, κλείσιμο, διακοπή, άνοιγμα ...
		1: διαδοχική + χρονοκαθυστέρηση κλεισίματος	<p>Σε τρόπο διαδοχικής λειτουργίας με χρονοκαθυστέρηση αυτόματου κλεισίματος:</p> <ul style="list-style-type: none"> <li>- το κλείσιμο της πόρτας πραγματοποιείται αυτόματα μετά από τη χρονοκαθυστέρηση που έχει προγραμματιστεί στην παράμετρο «t0»,</li> <li>- ένα πάτημα του πλήκτρου του τηλεχειριστηρίου διακόπτει την τρέχουσα κίνηση και τη χρονοκαθυστέρηση κλεισίματος.</li> </ul>
		2: αυτόματο κλείσιμο	<p>Σε τρόπο λειτουργίας αυτόματου κλεισίματος:</p> <ul style="list-style-type: none"> <li>- το κλείσιμο της πόρτας πραγματοποιείται αυτόματα μετά από τη χρονοκαθυστέρηση που έχει προγραμματιστεί στην παράμετρο «t0»,</li> <li>- ένα πάτημα του πλήκτρου του τηλεχειριστηρίου κατά το άνοιγμα δεν έχει καμία επίδραση,</li> <li>- ένα πάτημα του πλήκτρου του τηλεχειριστηρίου κατά το κλείσιμο προκαλεί εκ νέου άνοιγμα,</li> <li>- ένα πάτημα του πλήκτρου του τηλεχειριστηρίου κατά τη χρονοκαθυστέρηση κλεισίματος ξεκινά τη χρονοκαθυστέρηση από την αρχή.</li> </ul> <p>Η λειτουργία αυτόματου κλεισίματος είναι δυνατή μόνο αν έχουν εγκατασταθεί φωτοκύτταρα. Δηλαδή P2=1 ή P2=2</p>
		3: αυτόματο κλείσιμο με φωτοκύτταρα	<p>Μετά από το άνοιγμα της πόρτας, η διέλευση μπροστά από τα φωτοκύτταρα (ασφάλεια κλεισίματος) προκαλεί το άνοιγμα μετά από μικρή χρονοκαθυστέρηση (σταθερός χρόνος 5 δευτ.).</p> <p>Εάν δεν περάσει κανείς μπροστά από τα φωτοκύτταρα, η πόρτα κλείνει αυτόματα, μετά από τη χρονοκαθυστέρηση που έχει προγραμματιστεί στην παράμετρο «t0».</p> <p>Εάν υπάρχει ένα εμπόδιο στην περιοχή ανίχνευσης των φωτοκυττάρων, η πόρτα δεν κλείνει. Θα κλείσει αφού αφαιρεθεί το εμπόδιο.</p>
P1	Προειδοποίηση πορτοκαλί φωτός	<b>0: χωρίς προειδοποίηση</b> 1: με προειδοποίηση 2 δευτ.	Αν το γκαράζ βλέπει προς το δρόμο, επιλέξτε υποχρεωτικά με προειδοποίηση: P1=1.
P2	Είσοδος επαφής συστημάτων ασφαλείας	<b>0: κανένα σύστημα ασφαλείας</b> 1: σύστημα ασφαλείας με αυτόματη δοκιμή 2: σύστημα ασφαλείας χωρίς αυτόματη δοκιμή	<p>Αν επιλεγεί η τιμή 0, η είσοδος ασφαλείας δεν λαμβάνεται υπόψη.</p> <p>Αν επιλεγεί η τιμή 1, η αυτόματη δοκιμή του συστήματος γίνεται σε κάθε κύκλο λειτουργίας.</p> <p>Αν επιλεγεί η τιμή 2: σύστημα ασφαλείας χωρίς αυτόματη δοκιμή, η σωστή λειτουργία του συστήματος πρέπει να δοκιμάζεται οπωσδήποτε κάθε 6 μήνες.</p>
P3	Ευαισθησία της ανίχνευσης εμποδίου	0: πολύ λίγο ευαίσθητη 1: ελάχιστα ευαίσθητη <b>2: κανονική</b> 3: πολύ ευαίσθητη	Σε περίπτωση αλλαγής αυτής της παραμέτρου, πρέπει οπωσδήποτε να κάνετε τη διαδικασία μέτρησης καταπόνησης στο τέλος της εγκατάστασης ή να εγκαταστήσετε πρεσοστάτη ασφαλείας.
P4	Τρόπος μερικής λειτουργίας	<b>0: κυκλική εντολή</b>	Κάθε πάτημα του πλήκτρου του τηλεχειριστηρίου προκαλεί την κίνηση του μοτέρ (αρχική θέση: κλειστή πόρτα) σύμφωνα με τον ακόλουθο κύκλο: άνοιγμα, διακοπή, κλείσιμο, διακοπή, άνοιγμα ...
		1: διαδοχική + χρονοκαθυστέρηση κλεισίματος	<p>Η λειτουργία αυτόματου κλεισίματος είναι δυνατή μόνο αν έχουν εγκατασταθεί φωτοκύτταρα. Δηλαδή P2=1 ή P2=2.</p> <p>Σε τρόπο διαδοχικής λειτουργίας με χρονοκαθυστέρηση αυτόματου κλεισίματος:</p> <ul style="list-style-type: none"> <li>- το κλείσιμο της πόρτας πραγματοποιείται αυτόματα μετά από τη χρονοκαθυστέρηση που έχει προγραμματιστεί στην παράμετρο «t2»,</li> <li>- ένα πάτημα του πλήκτρου του τηλεχειριστηρίου διακόπτει την τρέχουσα κίνηση και τη χρονοκαθυστέρηση κλεισίματος.</li> </ul>
P5	Ταχύτητα κλεισίματος	0: η πιο αργή ταχύτητα: περίπου 3,5 cm/δευτ. έως 9: η πιο γρήγορη ταχύτητα: περίπου 18 cm/δευτ. <b>Προεπιλεγμένα 6: περίπου 12 cm/δευτ.</b>	Σε περίπτωση αλλαγής αυτής της παραμέτρου, πρέπει οπωσδήποτε να κάνετε τη διαδικασία μέτρησης καταπόνησης στο τέλος της εγκατάστασης ή να εγκαταστήσετε πρεσοστάτη ασφαλείας.
P6	Θέση μερικού ανοίγματος	Αποθήκευση της πραγματικής θέσης σύμφωνα με την εικ. 33.	
P7	Ταχύτητα πλεορίσματος κατά το κλείσιμο	0: καμία επιβράδυνση <b>1: σύντομη επιβράδυνση</b> 2: μακρά επιβράδυνση	<p>P7=0: καμία επιβράδυνση στο τέλος του κλεισίματος.</p> <p>P7=1: η ταχύτητα είναι μειωμένη κατά τα 20 τελευταία εκατοστά του κλεισίματος.</p> <p>P7=2: η ταχύτητα είναι μειωμένη κατά τα 50 τελευταία εκατοστά του κλεισίματος.</p> <p>Σε περίπτωση αλλαγής αυτής της παραμέτρου, πρέπει οπωσδήποτε να κάνετε τη διαδικασία μέτρησης καταπόνησης στο τέλος της εγκατάστασης ή να εγκαταστήσετε πρεσοστάτη ασφαλείας.</p>

Κωδικός	Ονομασία	Τιμές	Σχόλια
P8	Ταχύτητα ανοίγματος	0: η πιο αργή ταχύτητα: περίπου 3,5 cm/δευτ. έως 9: η πιο γρήγορη ταχύτητα: περίπου 18 cm/δευτ.	
P9	Επιλογή φορά λειτουργίας (τύπος πόρτας)	0: <b>φορά 1: παντός τύπου πόρτες εκτός από δίφυλλη</b>  1: φορά 2: δίφυλλη πόρτα	Σε περίπτωση αλλαγής αυτής της παραμέτρου, πρέπει οπωσδήποτε να ξανακάνετε την ρύθμιση τέρματος διαδρομής και την στιγμήαία εκμάθηση.
PA	Ένδειξη ανάγκης συντήρησης	0: <b>καμία ένδειξη</b> 1: 100 κύκλοι έως 99: 9900 κύκλοι (αριθμός κύκλων = τιμή x 100 κύκλους)	Μόλις το μοτέρ φτάσει τον προγραμματισμένο αριθμό κύκλων, ο ενσωματωμένος φωτισμός αναβοσβήνει με κάθε κίνηση της πόρτας, για να επισημάνει την ανάγκη συντήρησης. Για να σταματήσει να αναβοσβήνει ο ενσωματωμένος φωτισμός, πρέπει να επικυρώσετε ή να τροποποιήσετε την τρέχουσα τιμή, ή να απενεργοποιήσετε την ένδειξη συντήρησης.
Pb	Ανίχνευση παραβίασης	0: <b>δεν ανιχνεύτηκε παραβίαση</b> 1: ανίχνευση παραβίασης αισθητή 2: ανίχνευση παραβίασης λίγο αισθητή	Η ανίχνευση παραβίασης ενεργοποιείται 30 δευτ. μετά από το κλείσιμο της πόρτας. Εάν ανιχνευθεί παραβίαση, η σειρήνα ηχεί για 2 λεπτά. Για να τη σταματήσετε, πατήστε ένα πλήκτρο του τηλεχειριστηρίου. Εάν υπάρχουν εγκατεστημένα φωτοκύτταρα (P2=2), αυτά πρέπει να συνδεθούν οπωσδήποτε στη μόνιμη τροφοδοσία (συμβουλευθείτε το εγχειρίδιο εγκατάστασης της σειρήνας).
A0	Ενέργεια ασφάλειας πριν το άνοιγμα (ασφάλεια ADMAP)	0: <b>χωρίς αποτέλεσμα</b> 1: απορριφθείσα κίνηση	Αν επιλεγεί η τιμή 1, η ενεργοποίηση της εισόδου ασφάλειας εμποδίζει το άνοιγμα της πόρτας.
A1	Ενέργεια ασφάλειας κλεισίματος	1: σταμάτημα 2: σταμάτημα + μερικό ξανάνοιγμα 3: <b>πλήρες ξανάνοιγμα</b>	Η τιμή 1 απαγορεύεται σε περίπτωση χρήσης πρεσοστάτη ασφαλείας στην είσοδο ασφαλείας.
A2	Ενέργεια ανίχνευσης εμποδίου κατά το κλείσιμο	2: σταμάτημα + μερικό ξανάνοιγμα 3: <b>πλήρες ξανάνοιγμα</b>	
t0	Χρονοκαυστέρηση αυτόματου κλεισίματος ολικής λειτουργίας	0 έως 12 (τιμή χρονισμού = τιμή x 10 δευτ.) 2 : <b>20 δευτ.</b>	
t1	Χρονισμός φωτισμού	0 έως 60 (τιμή χρονισμού = τιμή x 10 δευτ.) 6 : <b>60 δευτ.</b>	
t2	Χρονοκαυστέρηση αυτόματου κλεισίματος μερικής λειτουργίας	0 έως 12 (τιμή χρονισμού = τιμή x 10 δευτ.) 2 : <b>20 δευτ.</b>	

(κείμενο με τονισμένους χαρακτήρες = προεπιλεγμένες τιμές)

**Παράδειγμα προγραμματισμού:** ρύθμιση της ταχύτητας πλεύρισης κατά το κλείσιμο “P7” (εικ. 32)

Ρύθμιση παραμέτρων μακράς ζώνης επιβράδυνσης “P7” = 2.

**Ειδική περίπτωση: ρύθμιση της θέσης της πόρτας για το μερικό άνοιγμα (εικ. 33)**

Αποκτήστε πρόσβαση στην παράμετρο “P6” και επικυρώστε με “OK”

Φέρτε την πόρτα στη θέση μερικού ανοίγματος που θέλετε:

. Το παρατεταμένο πάτημα του πλήκτρου “-” προκαλεί το κλείσιμο.

. Το παρατεταμένο πάτημα του πλήκτρου “+” προκαλεί το άνοιγμα.

. Επικυρώστε με “OK”.

. Έξοδος από το μενού με “SET”.

**Χειροκίνητη λειτουργία (εικ. 34)**

Η λειτουργία αυτή επιτρέπει τον χειρισμό της πόρτας ανά πάσα στιγμή (απώλεια τηλεχειριστηρίου, βλάβη συστήματος ασφαλείας κλπ):

. Το παρατεταμένο πάτημα του πλήκτρου “-” προκαλεί το κλείσιμο της πόρτας.

. Το παρατεταμένο πάτημα του πλήκτρου “+” προκαλεί το άνοιγμα της πόρτας.

**Απομνημόνευση του τηλεχειριστηρίου για τη λειτουργία σε «Μερικό άνοιγμα» (εικ. 35)**

**Εισαγωγή του τηλεχειριστηρίου στη μνήμη για την εντολή του εξωτερικού φωτισμού (εικ. 36)**

**Εισαγωγή τηλεχειριστηρίου τύπου Telis ή παρόμοιο στη μνήμη (εικ. 37)**

## ΕΙΔΙΚΕΣ ΛΕΙΤΟΥΡΓΙΕΣ

Βλέπε εγχειρίδιο χρήστη σελίδα 4.

**Προσθήκη ενός τηλεχειριστηρίου χωρίς πρόσβαση στην κεφαλή μοτέρ (βλ. βιβλιάριο χρήστη, σελίδα 5)**

Με Keygo (εικ.12a)

Με Telis ή παρόμοιο (εικ.12b)



## ΣΒΗΣΙΜΟ ΤΩΝ ΤΗΛΕΧΕΙΡΙΣΤΗΡΙΩΝ ΚΑΙ ΟΛΩΝ ΤΩΝ ΡΥΘΜΙΣΕΩΝ

### Διαγραφή των τηλεχειριστηρίων **εικ. 38**

Πατήστε το πλήκτρο **“PROG”** (για περίπου 7 δευτ.) μέχρι να αναβοσβήσει η λάμπα.

Προκαλείται σβήσιμο όλων των τηλεχειριστηρίων της μνήμης.

### Επαναφορά όλων των ρυθμίσεων στην αρχική κατάσταση **εικ. 39**

Πατήστε το πλήκτρο **“SET”** (για περίπου 7 δευτ.) μέχρι να σβήσει η λάμπα.

Προκαλείται σβήσιμο των ορίων και επαναφορά στις προεπιλεγμένες εργοστασιακές τιμές όλων των παραμέτρων.

## ΚΛΕΙΔΩΜΑ ΤΟΥ ΠΡΟΓΡΑΜΜΑΤΙΣΜΟΥ (εικ. 40)

Επιτρέπεται το κλείδωμα των προγραμματισμών (ρύθμιση των τεματίων διαδρομής, στιγμιαία εκμάθηση, ρυθμίσεις παραμέτρων).

Πατήστε ταυτόχρονα τα πλήκτρα **“SET”**, **“+”**, **“-”**:

- το πάτημα πρέπει να αρχίσει με το **“SET”**.
- το πάτημα του **“+”** και **“-”** πρέπει να γίνει εντός των επόμενων 2 δευτερολέπτων.

Για να αποκτήσετε και πάλι στον προγραμματισμό, κάνετε την ίδια διαδικασία.

## ΕΠΑΝΑΤΟΠΟΘΕΤΗΣΗ ΤΩΝ ΚΑΛΥΜΜΑΤΩΝ (εικ. 41)

Τοποθετήστε την κεραία και συναρμολογήστε τα καλύμματα.



Για σωστή εμβέλεια του ράδιο-τηλεχειριστηρίου, η κεραία πρέπει να τοποθετηθεί οπωσδήποτε σύμφωνα με τις 2 θέσεις που δείχνονται στην εικόνα 41.

## ΔΙΑΓΝΩΣΗ

### Ένδειξη των κωδικών λειτουργίας

Κωδικός	Περιγραφή	Σχόλια
C1	Αναμονή εντολής	
C2	Άνοιγμα της πόρτας	
C3	Αναμονή κλεισίματος της πόρτας	
C4	Κλείσιμο της πόρτας	
C5	Ανίχνευση εμποδίου	Ένδειξη κατά την ανίχνευση εμποδίου και κατόπιν επί 30 δευτ.
C6	Είσοδος ασφαλείας ενεργή	Ένδειξη κατά την αίτηση κίνησης ή κατά τη διάρκεια κίνησης όταν η είσοδος ασφαλείας είναι ενεργή. Η ένδειξη διατηρείται όσο η είσοδος ασφαλείας είναι ενεργή.
C9	Ασφάλεια επαφής για το πορτάκι εισόδου πεζών, ενεργή	Ένδειξη κατά την αίτηση κίνησης ή κατά τη διάρκεια κίνησης όταν η επαφή στο πορτάκι είναι ανοικτή. Η ένδειξη διατηρείται όσο η επαφή στο πορτάκι παραμένει ανοικτή.
Ca	Αυτόματη δοκιμή συστήματος ασφαλείας σε εξέλιξη	Ένδειξη κατά την εκτέλεση της αυτόματης δοκιμής των συστημάτων ασφαλείας.
Cb	Μόνιμο ενσύρματο χειριστήριο	Δείχνει ότι όταν η είσοδος ενσύρματου χειριστηρίου είναι μόνιμα ενεργή (κλειστή επαφή). Οι εντολές που προέρχονται από ραδιοτηλεχειριστήρια τότε απαγορεύονται.
Cd	Λειτουργία με εφεδρική μπαταρία Αναμονή εντολής	

### Ένδειξη των κωδικών προγραμματισμού

Κωδικός	Περιγραφή	Σχόλια
S1	Αναμονή ρύθμισης	Το πάτημα του πλήκτρου <b>“SET”</b> για 2 δευτ. ξεκινά τη λειτουργία προγραμματισμού ορίων.
S2	Λειτουργία προγραμματισμού ορίων	Το πάτημα του πλήκτρου <b>“OK”</b> ξεκινά τον κύκλο προγραμματισμού ορίων: η ένδειξη S2 αναβοσβήνει καθ' όλη τη διάρκεια του κύκλου. Το πάτημα των πλήκτρων <b>“+”</b> ή <b>“-”</b> επιτρέπουν τον έλεγχο του μοτέρ σε αναγκαστική χειροκίνητη λειτουργία.
F0	Αναμονή απομνημόνευσης τηλεχειριστηρίου για λειτουργία ολικού ανοίγματος	Το πάτημα ενός πλήκτρου του τηλεχειριστηρίου επιτρέπει την αντιστοίχιση αυτού του πλήκτρου στην εντολή ολικού ανοίγματος του μοτέρ. Ένα νέο πάτημα του πλήκτρου προγραμματισμού <b>«PROG»</b> επιτρέπει το πέρασμα σε λειτουργία «αναμονή απομνημόνευσης τηλεχειριστηρίου για λειτουργία μερικού ανοίγματος: F1».
F1	Αναμονή απομνημόνευσης τηλεχειριστηρίου για λειτουργία μερικού ανοίγματος	Το πάτημα ενός πλήκτρου του τηλεχειριστηρίου επιτρέπει την αντιστοίχιση αυτού του πλήκτρου στην εντολή μερικού ανοίγματος του μοτέρ. Ένα νέο πάτημα του πλήκτρου προγραμματισμού <b>«PROG»</b> επιτρέπει το πέρασμα σε λειτουργία «αναμονή απομνημόνευσης εντολής εξωτερικού φωτισμού: F2».
F2	Αναμονή απομνημόνευσης εντολής εξωτερικού φωτισμού	Το πάτημα ενός πλήκτρου του τηλεχειριστηρίου επιτρέπει την αντιστοίχιση αυτού του πλήκτρου στην εντολή εξωτερικού φωτισμού. Ένα νέο πάτημα του πλήκτρου προγραμματισμού <b>«PROG»</b> επιτρέπει το πέρασμα σε λειτουργία «αναμονή απομνημόνευσης τηλεχειριστηρίου για λειτουργία ολικού ανοίγματος: F0».

## Ένδειξη των κωδικών σφαλμάτων και βλαβών

Κωδικός	Περιγραφή	Σχόλια	Προτεινόμενη λύση
E2	Είσοδος ασφαλούς ενεργή μόνιμα	Ένδειξη όταν η είσοδος ασφαλείας ενεργοποιηθεί για πάνω από 3 λεπτά.	Βεβαιωθείτε ότι κανένα εμπόδιο δεν προκαλεί ανίχνευση εκ μέρους των κυττάρων ή του πρεσοστάτη ασφαλείας. Ελέγξτε τη σωστή ρύθμιση του "P2" ανάλογα με το σύστημα που είναι συνδεδεμένο στην είσοδο ασφαλείας. Ελέγξτε τα καλώδια των συστημάτων ασφαλείας. Σε περίπτωση φωτοκυττάρων, ελέγξτε αν είναι σωστά ευθυγραμμισμένα.
E4	Βλάβη αυτόματης δοκιμής συστήματος ασφαλείας	Η αυτόματη δοκιμή των συστημάτων ασφαλείας δεν είναι ικανοποιητική.	Ελέγξτε τη σωστή ρύθμιση του "P2" ανάλογα με το σύστημα που είναι συνδεδεμένο στην είσοδο ασφαλείας. Ελέγξτε τα καλώδια των συστημάτων ασφαλείας. Σε περίπτωση φωτοκυττάρων, ελέγξτε αν είναι σωστά ευθυγραμμισμένα.
Eb Ec	Άλλα προβλήματα και βλάβες	Οι κωδικοί αυτοί αντιστοιχούν σε διάφορες βλάβες της ηλεκτρονικής κάρτας.	Κόψτε το ηλεκτρικό ρεύμα (παροχή+ εφεδρική μπαταρία), περιμένετε λίγο και ξανασυνδέστε το ρεύμα. Κάνετε ένα κύκλο στιγμιαίας εκμάθησης. Αν η βλάβη επιμένει, επικοινωνήστε με την τεχνική υποστήριξη της Somfy.
H1	Ανίχνευση παραβίασης	Εμφάνιση σε περίπτωση ενέργειας από το εξωτερικό του γκαράζ (ανάγνωση με ανατροφοδότηση ρεύματος)	Πατήστε ένα απομνημονευμένο πλήκτρο του τηλεχειριστηρίου για να σταματήσετε τη σειρήνα. Ξεκινήστε έναν πλήρη κύκλο ανοίγματος και κλεισίματος της πόρτας.
H2	Ανίχνευση παραβίασης	Εμφάνιση σε περίπτωση ενέργειας από το εξωτερικό του γκαράζ (ανάγνωση με οπτικό κωδικοποιητή)	Πατήστε ένα απομνημονευμένο πλήκτρο του τηλεχειριστηρίου για να σταματήσετε τη σειρήνα. Ξεκινήστε έναν πλήρη κύκλο ανοίγματος και κλεισίματος της πόρτας.
CC	Ανάγκη συντήρησης	Εμφάνιση όταν είναι απαραίτητο να γίνει συντήρηση στην εγκατάσταση. Έχει επιτευχθεί ο αριθμός κύκλου που έχει προγραμματιστεί στην παράμετρο «PA».	Επικυρώστε ή τροποποιήστε την τρέχουσα τιμή «PA» ή απενεργοποιήστε τη λειτουργία «Ένδειξη ανάγκης συντήρησης».

## Πρόσβαση στα στοιχεία της μνήμης

Για να αποκτήσετε πρόσβαση στα στοιχεία της μνήμης επιλέξτε την παράμετρο "Ud" και κατόπιν πατήστε "OK" (εικ. 31).

Στοιχεία	Ονομασία
U0	Μετρητής συνολικού κύκλου: δεκάδες και μονάδα
U1	Μετρητής συνολικού κύκλου: χιλιάδες, εκατοντάδες
U2	Μετρητής συνολικού κύκλου: εκατοντάδες χιλιάδες
U3	Μετρητής κύκλου με ανίχνευση εμποδίου: δεκάδες και μονάδα
U4	Μετρητής κύκλου με ανίχνευση εμποδίου: χιλιάδες
U5	Αριθμός καναλιών (πλήκτρα ελεγχου) προγραμματισμένων στη μνήμη
d0 έως d9	Ιστορικό των 10 τελευταίων βλαβών
dd	Σβήνει το ιστορικό των βλαβών: πατήστε "OK" για 7 δευτ. (εικ. 31).

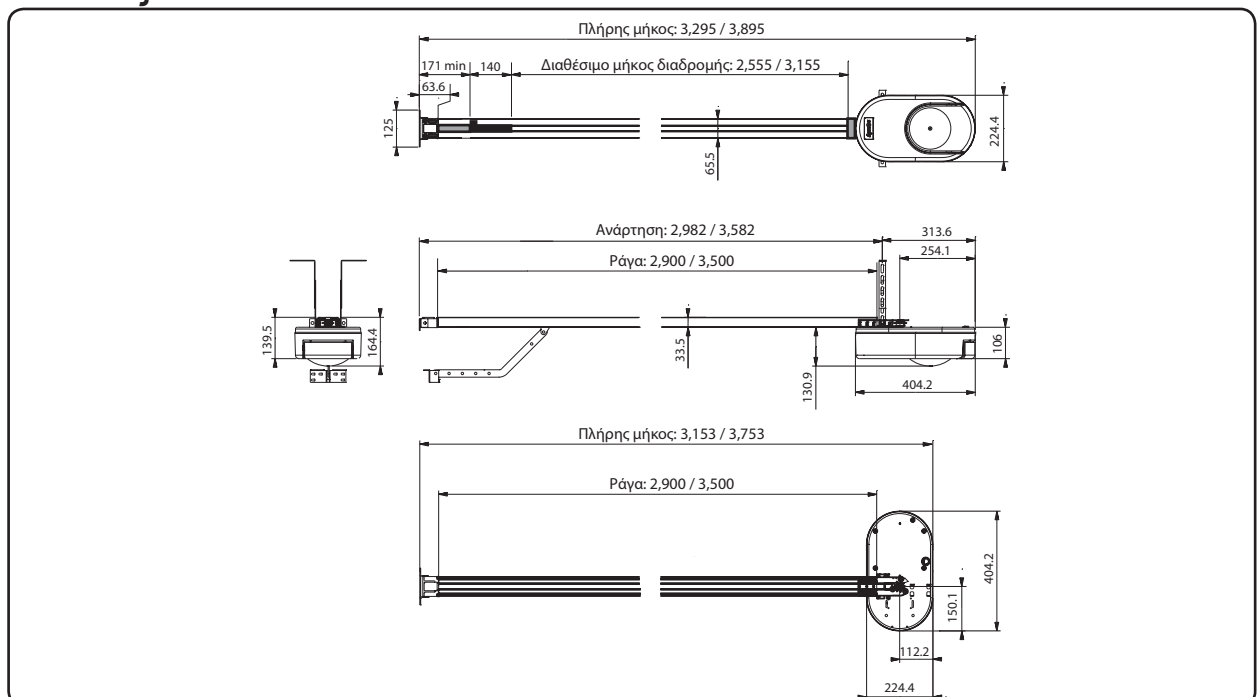


# ΤΕΧΝΙΚΑ ΧΑΡΑΚΤΗΡΙΣΤΙΚΑ

		Dexxo Pro 800 RTS	Dexxo Pro 1000 RTS
<b>ΓΕΝΙΚΑ ΧΑΡΑΚΤΗΡΙΣΤΙΚΑ</b>			
Ηλεκτρική τροφοδοσία		230 V - 50 Hz	
Μέγιστη ισχύς κατανάλωσης	Αναμονή-Λειτουργία	5 W - 600 W (με εκτός εξωτερικού φωτισμού 500 W)	
Δύναμη έλξης	Ενέργεια αιχμής	800 N	1000 N
	Ενέργεια ανοίγματος (1)	650 N	800 N
Χρήση		20 κύκλοι ημερησίως το μέγιστο με κανονική ράγα - 50 κύκλοι ημερησίως το μέγιστο με ράγα υψηλής απόδοσης (δοκιμασμένη για 36500 κύκλους με κανονική ράγα - δοκιμασμένη για 90000 κύκλους με ράγα υψηλής απόδοσης)	
Αριθμός κύκλων Ανοίγματος/Κλεισίματος την ημέρα		18 cm/δευτ.	
Μέγιστη ταχύτητα		7 κουμπιά - οθόνη LSD με 2 χαρακτήρες	
Διασύνδεση προγραμματισμού		- 20 ° C / + 60 ° C - ξηρό εσωτερικό - IP 20	
Κλιματικές συνθήκες χρήσης		Μηχανικό stop στο άνοιγμα	
Τέρματα διαδρομής		Ηλεκτρονικό στο κλείσιμο: θέση κλεισίματος στη μνήμη	
Ηλεκτρική μόνωση		Κατηγορία 2: διπλή μόνωση <input type="checkbox"/>	
Ενσωματωμένος φωτισμός		230 V / 40 W ; ντουί E14	
Ραδιο-συχνότητα εκπομπής Somfy		RTS 433.42 MHz	
Απομημονεύσιμος αριθμός διαύλων		32	
<b>ΣΥΝΔΕΣΕΙΣ</b>			
Είσοδος ασφαλείας	Τύπος Συμβατότητα	Ξηρή επαφή: Κανονικά κλειστή Φωτοκύτταρα TX/RX- Φωτοκύτταρο ανάκλασης- Προεσοστάς ασφαλείας - έξοδος ξηρή επαφή	
Είσοδος ασφαλείας πορτάκι		Ξηρή επαφή: Κανονικά κλειστή	
Είσοδος ενσύρματου χειριστηρίου		Ξηρή επαφή: Κανονικά ανοικτή	
Έξοδος εκποτισμένου φωτισμού		230 V - 500 W - Κατηγορία 2 <input type="checkbox"/>	
Έξοδος πορτοκαλί φωτός		24 V - 15 W με ενσωματωμένη διαχείριση αναβοσβησίματος	
Έξοδος τροφοδοσίας 24 V κατευθυνόμενη		Ναι: για αυτόματη δοκιμή λειτουργίας φωτοκυτάρων TX/RX	
Έξοδος δοκιμής εισόδου ασφαλείας		Ναι: για αυτόματη δοκιμή λειτουργίας φωτοκυτάρων ανάκλασης ή προεσοστάς ασφαλείας.	
Έξοδος τροφοδοσίας αξεσουάρ		24 V - 500 mA μέγιστο	
Μετατοπισμένη είσοδος κεραίας		Ναι: συμβατή με κεραία RTS (Κωδ. 2400472)	
Είσοδος εφεδρικής μπαταρίας	Αυτονομία	Ναι: συμβατή με πακέτο μπαταριών (Κωδ. 9001001) 24 ώρες, 5 έως 10 κύκλοι ανάλογα με την πόρτα Χρόνος φόρτισης: 48 ώρες	
<b>ΛΕΙΤΟΥΡΓΙΑ</b>			
Εξαγκαστικός τρόπος λειτουργίας		Με παρατεταμένο πάτημα του κουμπιού ελέγχου μετέρ	
Ανεξάρτητη καθοδήγηση του φωτισμού		Ναι για εξωτερικό φωτισμό	
Περίοδος αναμονής φωτισμού (μετά από κίνηση)		Προγραμματιζόμενη: 60 δευτ. έως 600 δευτ.	
Λειτουργία αυτόματου κλεισίματος		Ναι: χρονισμός ξανακλεισίματος προγραμματιζόμενη από 10 δευτ. έως 120 δευτ.	
Προειδοποίηση πορτοκαλί φωτός		Προγραμματιζόμενη: με ή χωρίς προειδοποίηση (σταθερή διάρκεια 2 δευτ.)	
Λειτουργία εισόδου ασφαλείας	Στο κλείσιμο Πριν το άνοιγμα (Επικίνδυνη Ζώνη Κίνησης Προσβάσιμη στο Κοινό)	Προγραμματιζόμενη: σταμάτημα - μερικό ξανάνοιγμα - πλήρες ξανάνοιγμα Προγραμματιζόμενη: χωρίς αποτέλεσμα ή απόρριψη κίνησης	
Ενσωματωμένη ανίχνευση εμποδίου		Ρυθμιζόμενη ευαισθησία: 4 επίπεδα	
Λειτουργία σε περίπτωση ανίχνευσης εμποδίου		Προγραμματιζόμενη: μερικό ξανάνοιγμα ή πλήρες ξανάνοιγμα	
Εντολή προκαθορισμένου μερικού ανοίγματος		Ναι δυνατόν να επιλεγεί: ρυθμιζόμενη θέση μερικού ανοίγματος	
Σταδιακό ξεκίνημα		Ναι	
Ταχύτητα ανοίγματος		Προγραμματιζόμενη από 3,5 cm/δευτ. έως 18 cm/δευτ.: 10 δυνατές τιμές	
Ταχύτητα κλεισίματος		Προγραμματιζόμενη από 3,5 cm/δευτ. έως 18 cm/δευτ.: 10 δυνατές τιμές	
Ταχύτητα πλευρίσματος κατά το κλείσιμο		Προγραμματιζόμενη: χωρίς επιβράδυνση, βραχεία ζώνη επιβράδυνσης (30 cm), μακρά ζώνη επιβράδυνσης (50 cm)	
Διάγνωση		Αποθήκευση και εξέταση των δεδομένων: μετρήτης κύκλων, μετρήτης κύκλων με ανίχνευση εμποδίων, αριθμός τηλεχειρισμών στη μνήμη, ιστορικό των 10 τελευταίων βλαβών που έχουν αποθηκευτεί	

(1) Μέγιστη ενέργεια η οποία επιτρέπεται το άνοιγμα και κατόπιν την κίνηση της πόρτας για τουλάχιστον 5 cm (σύμφωνα με τον ορισμό RAL-GZ).

## Διαστάσεις



# مشخصات فنی

Dexxo Pro 1000 RTS

Dexxo Pro 800 RTS

## مشخصات کلی

ولتاژ ورودی حداکثر توان مصرفی نیروی کشش	ولتاژ ورودی حداکثر توان مصرفی نیروی کشش
استفاده تعداد سیکل‌های باز شدن/بسته شدن در روز حداکثر سرعت واسط برنامه ریزی شرایط آب و هوایی استفاده انتهای حرکت‌ها	استفاده تعداد سیکل‌های باز شدن/بسته شدن در روز حداکثر سرعت واسط برنامه ریزی شرایط آب و هوایی استفاده انتهای حرکت‌ها
عایق بندی الکتریکی	عایق بندی الکتریکی
چراغ تعبیه شده فرکانس رادیویی سامفی تعداد کانال‌های قابل ثبت شدن در حافظه	چراغ تعبیه شده فرکانس رادیویی سامفی تعداد کانال‌های قابل ثبت شدن در حافظه

## اتصالات

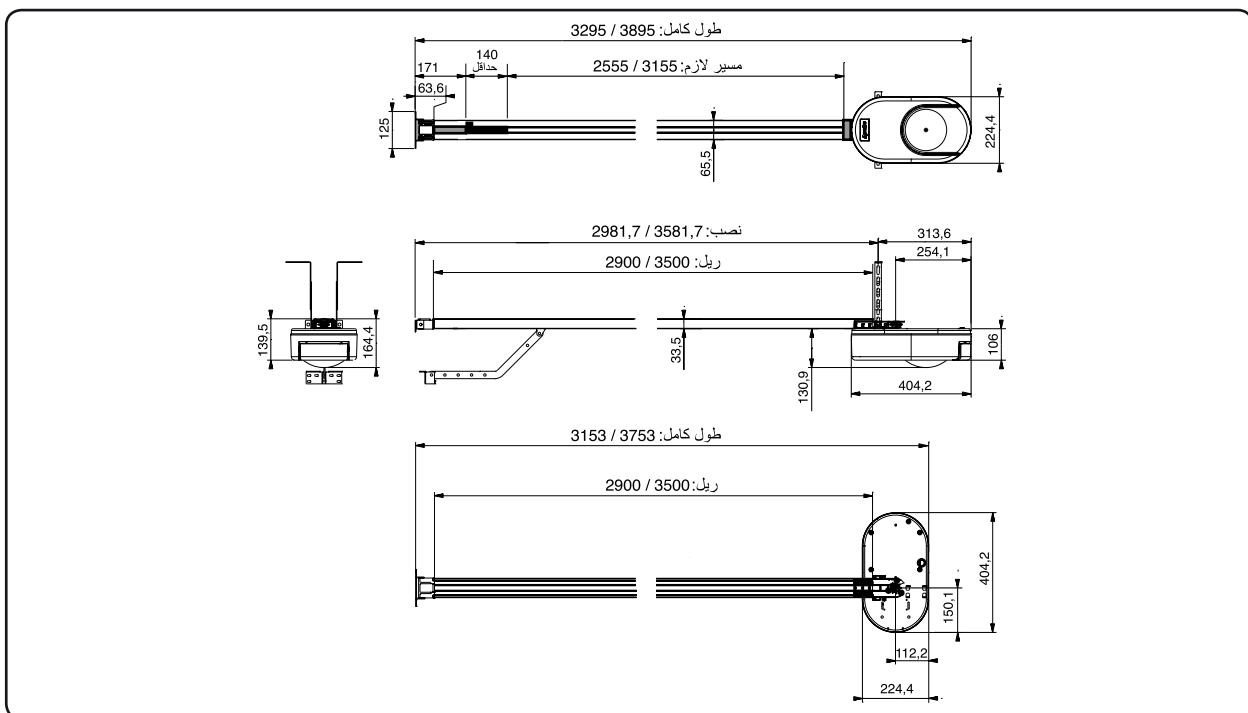
ورودی ایمنی	نوع انطباق
ورودی ایمنی درب عابر پیاده ورودی کنترل دارای سیم کشی خروجی چراغ مجزا	نوع انطباق
خروجی چراغ نارنجی خروجی تغذیه ۲۴ V هدایت شده خروجی تست ورودی ایمنی خروجی تغذیه تجهیزات جانبی ورودی آنتن مجزا ورودی باتری اضطراری	نوع انطباق
عملکرد	کارکرد

## عملکرد

حالت حرکت اجباری کنترل مستقل چراغ زمان بندی روشنائی (بعد از حرکت) حالت بسته شدن اتوماتیک اخطار قبلی چراغ نارنجی عملکرد ورودی ایمنی	حالت حرکت اجباری کنترل مستقل چراغ زمان بندی روشنائی (بعد از حرکت) حالت بسته شدن اتوماتیک اخطار قبلی چراغ نارنجی عملکرد ورودی ایمنی
تشخیص مانع تعبیه شده عملکرد در حالت تشخیص مانع فرمان باز شدن جزئی از پیش تعیین شده به راه افتادن تدریجی سرعت باز شدن سرعت بسته شدن سرعت رسیدن به انتهای حرکت در بسته شدن	تشخیص مانع تعبیه شده عملکرد در حالت تشخیص مانع فرمان باز شدن جزئی از پیش تعیین شده به راه افتادن تدریجی سرعت باز شدن سرعت بسته شدن سرعت رسیدن به انتهای حرکت در بسته شدن
عیب‌یابی	عیب‌یابی

(1) حداکثر نیروی ممکن برای جدا شدن سپس حرکت درب در حداکثر ۵ سانتیمتر (برحسب مشخصات RAL GZ).

## ابعاد



## نمایش کدهای خطا و ایرادات

کد	عملکرد	شرح	چه باید کرد؟
E2	ورودی ایمنی به صورت دائمی فعال	نمایش هنگامی که ورودی ایمنی برای مدت بیشتر از ۳ دقیقه فعال است.	بررسی کنید که هیچ گونه مانعی باعث تشخیص سلول‌ها یا حسگر لبه نشده باشد. صحیح بودن تنظیم پارامتر "P2" را برحسب تجهیزات متصل به ورودی ایمنی بررسی کنید. کابل‌کشی تجهیزات ایمنی را بررسی کنید. در حالت سلول‌های فتوالکترونیک، هم راستایی صحیح آنها را بررسی کنید.
E4	خطای تست خودکار تجهیزات ایمنی	تست خودکار تجهیزات ایمنی قابل قبول نیست.	صحیح بودن تنظیم پارامتر "P2" را برحسب تجهیزات متصل به ورودی ایمنی بررسی کنید. کابل‌کشی تجهیزات ایمنی را بررسی کنید. در حالت سلول‌های فتوالکترونیک، هم راستایی صحیح آنها را بررسی کنید.
Eb Ec	سایر خطاها و ایرادات	این کدها با ایرادهای مختلف برد الکترونیکی مطابقت دارند.	تغذیه الکتریکی (اصلی + باتری اضطراری) را قطع کنید، چند دقیقه صبر کنید سپس جریان برق را دوباره وصل نمایید. یک سیکل برنامه ریزی خودکار انجام دهید. اگر ایراد برطرف نشد، با بخش پشتیبانی فنی سامفی تماس بگیرید.
H1	تشخیص سرعت	نمایش هنگامی که عملی در خارج از محوطه گاراژ اتفاق افتاده است (خواندن خطا با وصل کردن مجدد برق)	برای متوقف کردن آژیر، یکی از دکمه‌های ریموت کنترل ثبت شده در حافظه را فشار دهید. یک سیکل کامل باز و بسته شدن درب را انجام دهید.
H2	تشخیص سرعت	نمایش هنگامی که عملی در خارج از محوطه گاراژ اتفاق افتاده است (خواندن خطا توسط دستگاه کدگذار نوری)	برای متوقف کردن آژیر، یکی از دکمه‌های ریموت کنترل ثبت شده در حافظه را فشار دهید. یک سیکل کامل باز و بسته شدن درب را انجام دهید.
CC	لزوم سرویس و نگهداری	نمایش هنگامی که سرویس و نگهداری برای دستگاه لازم است. تعداد سیکل‌های برنامه ریزی شده به پارامتر "PA" به پایان رسیده است.	مقدار "PA" فعلی را تغییر دهید یا تأیید کنید، یا عملکرد «هشدار دهنده لزوم سرویس و نگهداری» را غیر فعال نمایید.

### دسترسی به اطلاعات ثبت شده در حافظه

برای دستیابی به اطلاعات ذخیره شده، پارامتر "Ud" را انتخاب کنید سپس "OK" را فشار دهید (شکل ۳۱).

اطلاعات	شرح
U0	شمارشگر سیکل کامل: دهگان و یکان
U1	شمارشگر سیکل کامل: هزارگان و صدگان
U2	شمارشگر سیکل کامل: صد هزارگان
U3	شمارشگر سیکل با عملکرد تشخیص مانع: دهگان و یکان
U4	شمارشگر سیکل با عملکرد تشخیص مانع: هزارگان
U5	تعداد کانال‌های کنترل ثبت شده در حافظه
d9 تا d0	تاریخچه ۱۰ خطای آخر
dd	حذف تاریخچه خطاها: به مدت ۷ ثانیه "OK" را فشار دهید (شکل ۳۱).

## حذف ریموت کنترل‌ها و کلیه تنظیمات از حافظه

### حذف ریموت کنترل‌ها از حافظه شکل ۳۸

دکمه "PROG" را تا چشمک زدن چراغ فشار دهید (۷ ثانیه).  
باعث حذف کلیه ریموت کنترل‌های ثبت شده در حافظه می‌شود.

### تنظیم مجدد کلیه تنظیمات شکل ۳۹

دکمه "SET" را تا روشن چراغ فشار دهید (۷ ثانیه).  
باعث حذف برنامه ریزی خودکار و بازگشت به مقادیر پیش فرض کلیه پارامترها می‌شود.

## غیر فعال کردن دکمه‌های برنامه ریزی (شکل ۴۰)

امکان غیرفعال کردن برنامه ریزی‌ها را فراهم می‌کند (تنظیم انتهایی حرکت‌ها، برنامه ریزی خودکار، تنظیم پارامترها).  
هم زمان دکمه‌های "SET"، "+"، "-" را فشار دهید:  
- فشار دادن باید از دکمه "SET" شروع شود.  
- فشار بر روی "+" و "-" باید در ۲ ثانیه بعدی انجام شود.  
برای دسترسی دوباره به برنامه ریزی، همین فرآیند را تکرار کنید.

## نصب درپوش‌ها (شکل ۴۱)

آنتن را در موقعیت مناسب قرار دهید و درپوش‌ها را نصب کنید.

برای برد مناسب کنترل رادیویی، آنتن باید الزاماً برحسب یکی از موقعیت‌های نشان داده در شکل ۴۱ نصب شود.



## عیب‌یابی

### نمایش کدهای عملکرد

کد	عملکرد	شرح
C1	منتظر فرمان	
C2	باز شدن درب	
C3	منتظر بسته شدن مجدد درب	
C4	بسته شدن درب	
C5	تشخیص مانع	نمایش هنگام تشخیص مانع، سپس به مدت ۳۰ ثانیه.
C6	ورودی ایمنی فعال	نمایش هنگام درخواست يك حرکت یا در هنگام حرکت، وقتی که ورودی ایمنی فعال است. مادامی که ورودی ایمنی فعال است نمایشگر روشن می‌ماند.
C9	ایمنی سوییچ درب عابر پیاده فعال	نمایش هنگام درخواست يك حرکت یا در هنگام حرکت، وقتی سوییچ درب عابر پیاده باز است. تا زمانی که سوییچ درب عابر پیاده باز است، نمایشگر روشن می‌ماند.
Ca	تست خودکار تجهیزات ایمنی در حال اجرا	نمایش هنگام اجرای تست خودکار تجهیزات ایمنی.
Cb	کنترل دارای سیم کشی دایمی	نشان می‌دهد که ورودی کنترل دارای سیم‌کشی به صورت دایمی فعال است (سوییچ بسته). در نتیجه فرمان‌های ارسالی از طرف ریموت کنترل‌های رادیویی غیر فعال هستند.
Cd	عملکرد با باتری اضطراری منتظر فرمان	

### نمایش کدهای برنامه ریزی

کد	عملکرد	شرح
S1	منتظر تنظیم	فشار بر روی دکمه "SET" به مدت ۲ ثانیه حالت برنامه ریزی خودکار را فعال می‌کند.
S2	حالت برنامه ریزی خودکار	فشار بر روی دکمه "OK" امکان فعال کردن سیکل برنامه ریزی خودکار را فراهم می‌کند: نمایش S2 در تمام مدت سیکل به صورت چشمک زن می‌شود. فشار بر روی دکمه‌های "+" یا "-" امکان کنترل موتور را در حالت حرکت اجباری فراهم می‌کند.
F0	منتظر ثبت ریموت کنترل در حافظه برای عملکرد باز شدن کامل درب	فشار یکی از دکمه‌های ریموت کنترل امکان اختصاص این دکمه را به موتور برای کنترل باز شدن کامل فراهم می‌کند.
F1	منتظر ثبت ریموت کنترل در حافظه برای عملکرد باز شدن قسمتی از درب	فشار بر روی دکمه "PROG" امکان گذر به حالت «انتظار ثبت عملکرد باز شدن قسمتی از ریموت کنترل را فراهم می‌کند: F1».
F2	منتظر ثبت کنترل چراغ مجزا در حافظه	فشار یکی از دکمه‌های ریموت کنترل امکان اختصاص این دکمه را به کنترل چراغ مجزا فراهم می‌کند. فشار بر روی دکمه "PROG" امکان گذر به حالت «انتظار ثبت عملکرد باز شدن کامل درب در حافظه ریموت کنترل را فراهم می‌کند: F0».

کد	شرح	مقدار	شرح
P8	سرعت در باز شدن	0: کمترین سرعت: حدود 3,5 cm/s تا 9: بالاترین سرعت: حدود 18 cm/s	
P9	انتخاب جهت عملکرد (نوع درب)	0: جهت ۱: همه نوع درب به جز درب لولایی 1: جهت ۲: درب لولایی.	در صورت تغییر این پارامتر، تنظیم مجدد انتهای حرکت و برنامه ریزی خودکار ضروری است.
PA	هشدار دهنده لزوم سرویس و نگهداری	0: بدون هشدار 1: ۱۰۰ سیکل تا 99: ۹۹۰۰ سیکل (تعداد سیکل = مقدار x ۱۰۰ سیکل)	وقتی موتور به تعداد سیکل‌های تعیین شده برسد، در هر حرکت درب، چراغ تعبیه شده برای هشدار بر لزوم سرویس و نگهداری شروع به چشمک زدن می‌کند. برای متوقف کردن چشمک زدن چراغ تعبیه شده، باید مقدار فعلی را تأیید نمود یا تغییر داد، یا هشدار دهنده سرویس و نگهداری را غیرفعال نمود.
Pb	تشخیص سرعت	0: بدون تشخیص سرعت 1: حساس بودن تشخیص سرعت 2: حساسیت کم تشخیص سرعت	تشخیص سرعت ۳۰ ثانیه پس از بسته شدن درب راه‌اندازی می‌شود. اگر يك سرعت تشخیص داده شده است، آژیر به مدت ۲ دقیقه فعال می‌شود. برای متوقف کردن آن، یکی از دکمه‌های ریموت کنترل را فشار دهید. اگر سلول‌های فتوالکتریک نصب شده‌اند، (2=P2)، باید حتماً آنها را به جریان دائمی برق متصل نمود (به دفترچه راهنمای نصب آژیر مراجعه کنید).
A0	عملکرد ایمنی قبل از باز شدن (ایمنی ADMAP)	0: بدون تأثیر 1: حرکت قبول نشده	اگر مقدار ۱ انتخاب شده است، فعال کردن ورودی ایمنی مانع باز شدن درب می‌شود.
A1	عملکرد ایمنی در هنگام بسته شدن	1: توقف 2: توقف + باز شدن جزئی 3: باز شدن کامل	در صورت استفاده از يك حسگر لبه روی ورودی ایمنی انتخاب مقدار ۱ مجاز نیست.
A2	عملکرد تشخیص مانع در هنگام بسته شدن	2: توقف + باز شدن جزئی 3: باز شدن کامل	
t0	زمان بندی بسته شدن اتوماتیک عملکرد کامل	0 تا 12 (مقدار زمان بندی = مقدار x ۱۰ ثانیه) 2: ۲۰ ثانیه	
t1	زمان بندی چراغ تعبیه شده	0 تا ۶۰ (مقدار زمان بندی = مقدار x ۱۰ ثانیه) 6: ۶۰ ثانیه	
t2	زمان بندی بسته شدن اتوماتیک عملکرد جزئی	0 تا 12 (مقدار زمان بندی = مقدار x ۱۰ ثانیه) 2: ۲۰ ثانیه	

(متنون پررنگ = مقادیر پیش فرض)

نمونه برنامه ریزی: تنظیم سرعت رسیدن به انتهای حرکت در بسته شدن "P7" (شکل ۳۲)

تنظیم پارامترهای ناحیه کاهش سرعت طولانی "P7" = 2.

مورد خاص: تنظیم موقعیت درب برای باز شدن جزئی (شکل ۳۳)

پارامتر "P6" را انتخاب نمایید و با "OK" تأیید کنید.

درب را در موقعیت باز شدن جزئی مورد نظر قرار دهید:

. فشار ممتد بر روی دکمه "-" باعث بسته شدن درب می‌شود.

. فشار ممتد بر روی دکمه "+" باعث باز شدن درب می‌شود.

. با "OK" تأیید کنید.

. با "SET" از منو خارج شوید.

حالت حرکت اجباری (شکل ۳۴)

این عملکرد امکان حرکت دادن درب را در هر زمان فراهم می‌کند (گم کردن ریموت کنترل، ایراد تجهیزات ایمنی...):

. فشار ممتد بر روی دکمه "-" باعث بسته شدن درب می‌شود.

. فشار ممتد بر روی دکمه "+" باعث باز شدن درب می‌شود.

ثبت ریموت کنترل در حافظه برای عملکرد در هنگام «باز شدن جزئی» (شکل ۳۵)

ثبت ریموت کنترل در حافظه برای کنترل چراغ مجزا (شکل ۳۶)

ثبت ریموت کنترل نوع Telis یا مشابه در حافظه (شکل ۳۷)

## عملکردهای خاص

به دفترچه راهنمای مصرف کننده، صفحه ۴ رجوع کنید.

اضافه کردن يك ریموت کنترل بدون دسترسی به موتور (به دفترچه راهنمای مصرف کننده، صفحه ۵ رجوع کنید)

با يك Keygo (شکل 12a)

با يك Telis یا مشابه (شکل 12b)

### مفهوم پارامترهای مختلف

کد	شرح	مقدار	شرح
P0	حالت عملکرد کامل	0: ترتیبی	هر فشار بر روی دکمه ریموت کنترل باعث حرکت موتور (موقعیت اولیه: درب بسته) بر حسب سیکل زیر می‌شود: باز شدن، توقف، بسته شدن، توقف، باز شدن ...
	عملکرد در حالت بسته شدن اتوماتیک فقط وقتی میسر است که سلول‌های فتوالکتریک نصب شده باشند. یعنی $1=P2$ یا $2=P2$ .	1: ترتیبی + زمان بندی بسته شدن	در حالت ترتیبی با زمان بندی بسته شدن اتوماتیک: - بسته شدن درب پس از مدت زمان بندی برنامه ریزی شده در پارامتر "t0" به صورت اتوماتیک انجام می‌شود، فشار بر روی دکمه ریموت کنترل، حرکتی که در حال انجام است و زمان بندی بسته شدن را دچار وقفه می‌کند.
		2: بسته شدن اتوماتیک	در حالت بسته شدن اتوماتیک: - بسته شدن درب پس از مدت زمان بندی برنامه ریزی شده در پارامتر "t0" به صورت اتوماتیک انجام می‌شود، فشار بر روی دکمه ریموت کنترل هنگام باز شدن بدون تأثیر است، فشار بر روی دکمه ریموت کنترل هنگام بسته شدن باعث باز شدن مجدد درب می‌شود، فشار بر روی دکمه ریموت کنترل هنگام زمان بندی بسته شدن، دوباره زمان بندی را فعال می‌کند.
		3: بسته شدن اتوماتیک توسط سلول‌ها.	پس از باز شدن درب، عبور از جلوی سلول‌ها (ایمنی بسته شدن) باعث بسته شدن درب پس از زمان بندی کوتاه می‌شود (۵ ثانیه ثابت). اگر عبور از جلوی سلول‌ها انجام نشده است، بسته شدن درب پس از زمان بندی بسته شدن برنامه ریزی شده در پارامتر "t0" به صورت اتوماتیک انجام می‌پذیرد. اگر مانعی در محدوده تشخیص سلول‌ها وجود دارد، درب بسته نمی‌شود. فقط وقتی مانع برداشته شود، درب بسته می‌شود.
P1	اخطار قبلی چراغ نارنجی	0: بدون اخطار قبلی 1: با اخطار قبلی ۲ ثانیه‌ای	اگر درب گاراژ رو به محل عبور عمومی باز می‌شود، الزاماً با اخطار قبلی را انتخاب کنید: $1=P1$ .
P2	ورودی ایمنی	0: بدون تجهیزات ایمنی 1: تجهیزات ایمنی با تست خودکار 2: تجهیزات ایمنی بدون تست خودکار	اگر مقدار 0 انتخاب شده است، ورودی ایمنی در نظر گرفته نمی‌شود. اگر مقدار 1 انتخاب شده است، تست خودکار تجهیزات در هر سیکل عملکرد انجام می‌شود. اگر مقدار 2 انتخاب شده است: تجهیزات ایمنی بدون تست خودکار هستند، بررسی عملکرد صحیح تجهیزات در هر ۶ ماه یک بار الزامی است.
P3	میزان حساسیت تشخیص مانع	0: حساسیت خیلی کم 1: حساسیت کم 2: استاندارد 3: حساسیت زیاد	در صورت تغییر این پارامتر، انجام فرایند اندازه گیری نیرو در پایان نصب یا نصب یک حسگر لبه الزامی است.
P4	حالت عملکرد جزئی	0: ترتیبی	هر فشار بر روی دکمه ریموت کنترل باعث حرکت موتور (موقعیت اولیه: درب بسته) بر حسب سیکل زیر می‌شود: باز شدن، توقف، بسته شدن، توقف، باز شدن ...
	عملکرد در حالت بسته شدن اتوماتیک فقط وقتی میسر است که سلول‌های فتوالکتریک نصب شده باشند. یعنی $1=P2$ یا $2=P2$ .	1: ترتیبی + زمان بندی بسته شدن	در حالت ترتیبی با زمان بندی بسته شدن اتوماتیک: - بسته شدن درب پس از مدت زمان بندی برنامه ریزی شده در پارامتر "t2" به صورت اتوماتیک انجام می‌شود، فشار بر روی دکمه ریموت کنترل حرکتی که در حال انجام است و زمان بندی بسته شدن را دچار وقفه می‌کند.
			در صورت تغییر این پارامتر، انجام فرایند اندازه گیری نیرو در پایان نصب یا نصب یک حسگر لبه الزامی است.
P5	سرعت در زمان بسته شدن	0: کمترین سرعت: حدود 3,5 cm/s تا 9: بیشترین سرعت: حدود 18 cm/s پیش فرض، ۶: حدود 12 cm/s	
P6	موقعیت باز شدن جزئی	ذخیره سازی موقعیت واقعی بر اساس شکل ۳۳	
P7	سرعت رسیدن به انتهای مسیر در بسته شدن	0: بدون کاهش سرعت 1: کاهش سرعت کوتاه 2: کاهش سرعت طولانی	0=P7: بدون کاهش سرعت در پایان بسته شدن. 1=P7: سرعت طی ۲۰ سانتیمتر آخر کم شده است. 2=P7: سرعت طی ۵۰ سانتیمتر آخر کم شده است. در صورت تغییر این پارامتر، انجام فرایند اندازه گیری نیرو در پایان نصب یا نصب یک حسگر لبه الزامی است.

## اتصال تجهیزات جانبی

### مشخصات تجهیزات مختلف شکل ۲۱

شماره	مشخصات	شماره	شرح
1	چراغ نارنجی	7	کیت ایمنی عابر پیاده
2	چراغ مجزا	8	سلول‌های فتوالکتریک
3	صفحه کلید دارای سیم‌کشی	9	سلول رفلکس
4	سونیچ کلیدی	10	حسگر لبه
5	آنتن	11	آزیر
6	باتری		

### اتصال الکتریکی تجهیزات مختلف شکل ۲۱ تا ۳۰

جریان برق موتور را قبل از هرگونه عملیات بر روی تجهیزات قطع کنید. اگر نمایشگر بعد از عملیات خاموش بماند، کابل‌کشی را بررسی کنید (اتصال کوتاه یا معکوس شدن موقعیت قطب‌ها).

#### نقشه کلی الکتریکی (شکل ۲۱)

#### سلول‌های فتوالکتریک (شکل ۲۲)

امکان انجام دو نوع اتصال وجود دارد:

A: استاندارد (بدون تست خودکار): برنامه ریزی پارامتر "P2" = 2.

B: با تست خودکار: برنامه ریزی پارامتر "P2" = 1.

امکان انجام تست خودکار عملکرد سلول‌های فتوالکتریک را در هر حرکت درب فراهم می‌آورد. اگر تست عملکرد منفی باشد، ممکن است درب هیچ حرکتی انجام ندهد.

#### سلول‌های فتوالکتریک رفلکس (شکل ۲۳)

با تست خودکار: برنامه ریزی پارامتر "P2" = 1.

امکان انجام تست خودکار عملکرد سلول فتوالکتریک را در هر حرکت درب فراهم می‌آورد. اگر تست عملکرد منفی باشد، ممکن است درب هیچ حرکتی انجام ندهد.

#### حسگر لبه (شکل ۲۴)

با تست خودکار: برنامه ریزی پارامتر "P2" = 1.

امکان انجام تست خودکار عملکرد حسگر لبه را در هر حرکت درب فراهم می‌آورد. اگر تست عملکرد منفی باشد، ممکن است درب هیچ حرکتی انجام ندهد.

برنامه ریزی پارامتر "P2" برای به‌کارگیری صحیح سلول‌های فتوالکتریک یا حسگر لبه الزامی است.



#### چراغ نارنجی (شکل ۲۵)

پارامتر "P1" را بر حسب حالت عملکرد مورد نظر برنامه ریزی کنید:

- بدون اخطار قبلی پیش از حرکت درب: "P1" = 0.
- با اخطار قبلی ۲ ثانیه‌ای قبل از حرکت درب: "P1" = 1.

#### ابزار کنترل با کد دیجیتال (شکل ۲۶)

#### کیت ایمنی عابر پیاده (شکل ۲۷)

هنگام نصب سونیچ درب عابر پیاده، باید آن را در محل و موقعیت پل ایجاد شده بین دو پایه ۵ و ۶ متصل نمود.

در صورت حذف سونیچ درب عابر پیاده، ایجاد مجدد پل بین پایه‌های ۵ و ۶ الزامی است.



#### باتری (شکل ۲۸)

#### آنتن (شکل ۲۹)

#### چراغ مجزا (شکل ۳۰)

هرگونه چراغ متصل شده باید از نوع کلاس ۲ باشد (عایق کاری دوگانه).

اتصال چندین چراغ بدون گذشتن از حد توان کل 500 W امکان‌پذیر است.

#### آزیر

برای اطلاعات بیشتر در مورد اتصالات آزیر، به دفترچه راهنمای آن مراجعه کنید.

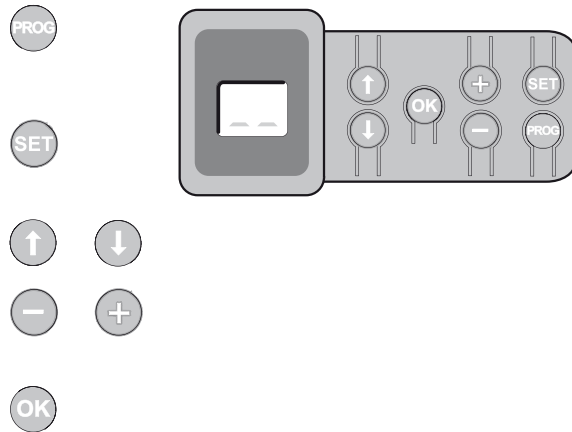
پارامتر "Pb" را برای فعال کردن آزیر برنامه ریزی کنید:

- آزیر غیرفعال "Pb" = 0.
- آزیر فعال: "Pb" = 1 یا "Pb" = 2.

## برنامه ریزی

### مشخصات دکمه‌های برنامه ریزی

- فشار ۲ ثانیه‌ای: ثبت ریموت کنترل‌ها در حافظه
- فشار ۷ ثانیه‌ای: حذف ریموت کنترل‌ها از حافظه
- فشار ۰,۵ ثانیه‌ای: ورود و خروج از منوی تنظیم پارامترها
- فشار ۲ ثانیه‌ای: فعال شدن برنامه ریزی خودکار
- فشار ۷ ثانیه‌ای: حذف برنامه ریزی خودکار و پارامترها
- وقفه در برنامه ریزی خودکار
- انتخاب يك پارامتر
- تغییر مقدار يك پارامتر
- استفاده از حالت حرکت اجباری
- اجرای سیکل برنامه ریزی خودکار
- تأیید انتخاب يك پارامتر
- تأیید مقدار يك پارامتر



### تنظیم انتهای حرکت و برنامه ریزی خودکار

در حالت يك درب لولایی، پارامتر P9 را قبل از انجام برنامه ریزی خودکار تغییر دهید.

- [۱]. دکمه "SET" را تا روشن شدن چراغ فشار دهید (۲ ثانیه).  
نمایشگر "S2" را نمایش می‌دهد.
  - [۲]. موتور را با دکمه‌های "+" یا "-" کنترل کنید تا قسمت متحرك انتقال نیرو روی قطعه حامل درگیر شود و درب را در موقعیت بسته قرار دهد.
    - فشار مداوم بر روی دکمه "-" باعث جابه‌جایی قسمت متحرك در جهت بسته شدن می‌شود.
    - دکمه "-" را قبل از هر گونه اعمال فشار موتور بر روی درب رها کنید.
    - فشار مداوم بر روی دکمه "+" باعث جابه‌جایی قسمت متحرك در جهت باز شدن می‌شود.
  - [۳]. موقعیت بسته را به کمک دکمه‌های "+" یا "-" تنظیم کنید.  
دکمه "-" را قبل از هر گونه اعمال فشار موتور بر روی درب رها کنید.
  - [۴]. برای تأیید انتهای حرکت بسته شدن "OK" را فشار دهید و سیکل برنامه ریزی خودکار را شروع کنید.  
درب يك سیکل کامل باز و بسته شدن را انجام می‌دهد.
    - اگر برنامه ریزی خودکار صحیح باشد، نمایشگر "C1" را نمایش می‌دهد.
    - اگر سیکل برنامه ریزی خودکار به درستی انجام نشده باشد، نمایشگر "S1" را نمایش می‌دهد.
    - طی مدت برنامه ریزی خودکار:
    - اگر درب در حرکت است، فشار بر روی هر يك از دکمه‌ها حرکت درب و حالت برنامه ریزی خودکار را متوقف می‌کند.
    - اگر درب متوقف است، فشار بر روی "SET" امکان خروج از حالت برنامه ریزی خودکار را فراهم می‌آورد.
- دست‌رسی به حالت برنامه ریزی خودکار، همچنین هنگامی که سیکل برنامه ریزی خودکار انجام شده است و نمایشگر "C1" را نمایش می‌دهد، در هر زمان میسر است.

### ثبت ریموت کنترل‌ها در حافظه برای عملکرد «باز شدن کامل»

شکل ۱۷ امکان ثبت تا ۳۲ کانال کنترل در حافظه وجود دارد.  
انجام این فرآیند بر روی کانالی که قبلاً در حافظه ثبت شده است، باعث حذف آن می‌شود.

در این مرحله از نصب، موتور Dexxo Pro آماده کار است.

## آزمایش عملکرد

### استفاده از ریموت کنترل‌ها

### عملکرد تشخیص مانع

شکل ۱۹ و ۲۰

- تشخیص مانع هنگام باز شدن باعث توقف درب می‌شود (شکل ۱۹).
- تشخیص مانع هنگام بسته شدن باعث باز شدن مجدد درب می‌شود (شکل ۲۰).
- بررسی کنید عملکرد تشخیص مانع هنگامی که درب به يك مانع با ارتفاع ۵۰ میلی‌متر بر روی زمین برخورد می‌کند، عمل می‌نماید.

### عملکرد چراغ تعبیه شده

چراغ در هر بار راه‌اندازی موتور روشن می‌شود. يك دقیقه پس از پایان حرکت درب به صورت خودکار خاموش می‌شود. این زمان بندی قابل تنظیم است (به فصل تنظیم پارامترها رجوع کنید). استفاده مکرر که باعث روشن شدن مداوم چراغ شود، ممکن است منجر به خاموشی اتوماتیک به دلیل وجود محافظ حرارتی گردد.



نصب ریل به موتور (شکل ۷)

نصب مجموعه به سقف گاراژ (شکل ۸ تا ۱۰)

نصب به پایه نگهدارنده درگاه (شکل ۸)

نصب به سقف

• سقف چسبیده: نصب به سقف مستقیماً از طریق ریل (شکل ۹).  
می‌توان چند نقطه اتصال به قسمت موتور اضافه نمود (شکل ۹ - i).

• سقف جدا: دو روش امکان پذیر است:

- نصب به قسمت موتور (شکل ۱۰ - a)

- نصب به قسمت ریل (شکل ۱۰ - b)

برای نصب رابط قابل تنظیم در طول ریل، یا نصب با ابعاد h بین ۲۵۰ میلی‌متر و ۵۵۰ میلی‌متر، از کیت نصب سقفی با شماره فنی: 9014462 استفاده کنید (شکل ۱۰ - i).

نصب زانویی به درب و به قطعه حامل (شکل ۱۱)

[۱]. قطعه حامل را به کمک تجهیزات خلاص کن دستی آزاد کنید.

[۲]. قطعه حامل را به سمت درب ببرید.

[۳]. زانویی را به پایه نگهدارنده درب و قطعه حامل نصب کنید.


تنظیم و نصب متوقف کننده باز شدن (شکل ۱۲)

[۱]. قطعه حامل را به کمک تجهیزات خلاص کن دستی آزاد کنید و درب را در موقعیت باز قرار دهید.  
درب را تا وضعیت حداکثر باز نکنید، ولی آن را در موقعیتی قرار دهید که به متوقف کننده‌ها برخورد نکند.

[۲]. متوقف کننده (۱۰) را درون ریل قرار دهید، سپس آن را ۹۰° بچرخانید.

[۳]. متوقف کننده را مقابل قطعه حامل قرار دهید.

[۴]. پیچ نصب را بدون فشار محکم کنید.

 پیچ نصب را تا آخرین حد ممکن سفت نکنید. محکم کردن بیش از حد می‌تواند باعث خرابی پیچ شود و متوقف کننده را در وضعیت نامناسب قرار دهد.

نصب ضربه‌گیرهای نگهدارنده زنجیر (شکل ۱۳)

فقط حالت ریل‌های زنجیردار.

این ضربه‌گیرها امکان محدود کردن صداهای مزاحم مرتبط با اصطکاک زنجیر در ریل را فراهم می‌کنند. هر یک از ضربه‌گیرها را در اولین سوراخ ریل در بیرون متوقف کننده‌های انتهای حرکت‌ها قرار دهید.

ضربه‌گیر را به نحوی فرو کنید که خار تنظیم از خارج ریل بیرون نزنند.

بررسی کشش زنجیر یا تسمه (شکل ۱۴)

ریل‌ها با کشش از پیش تنظیم شده و بررسی شده ارایه می‌شوند. در صورت لزوم، کشش را تنظیم کنید.


 لاستیک یا فتر کشش هرگز نباید هنگام عملکرد به صورت کامل فشرده شوند.

اتصال الکتریکی تغذیه (شکل ۱۵)

[۱]. درپوش موتور را باز کنید و لایه محافظ را بردارید.

[۲]. لامپ را نصب کنید.

[۳]. به برق شهر وصل کنید.


 کابل تغذیه را به یک پریز که برای این کار در نظر گرفته شده و با الزامات الکتریکی مطابقت دارد، وصل کنید. مدار الکتریکی باید به یک محافظ (فیوز یا فیوز خودکار 16 A) و سیستم حفاظت دیفرانسیل (30 mA) مجهز باشد.

 یک مدار شکن سه قطبی تغذیه باید پیش بینی شود:

. یا توسط یک کابل برق مجهز به سوکت تغذیه؛

. یا توسط یک سونچ با فاصله جدا کننده اتصالات حداقل ۳ میلی‌متر روی هر قطب

(مطابق با استاندارد EN60335-1).

 بررسی کنید تجهیزات خلاص کن دستی در ارتفاع حداکثر ۱,۸۰ متری از زمین قرار دارند.  
در صورت لزوم طول کابل را بلندتر کنید.

### ابعاد درب‌ها (شکل ۳)

- برای ارتفاع حداکثر درب‌ها، حرکت موتور می‌تواند بهینه سازی شود:
- با بالا بردن موتور در زاویه ۹۰° (شکل ۷- i).
- با نصب پایه نگهدارنده درگاه به سقف با یک عقب نشینی حداکثر ۲۰۰ میلی‌متر نسبت به درگاه. (شکل ۵- i)
- با کوتاه کردن بازوی اتصال.

## نکاتی که قبل از نصب باید بررسی شوند

### بررسی‌های اولیه

درب گاراژ باید به صورت دستی به راحتی عمل کند. شرایط مکانیکی سالم (قرقره‌ها، پایه‌های نگهدارنده...) و تعادل کامل آنرا بررسی کنید (کشش فنر).

### هرگونه عملیات بر روی فنرهای درب می‌تواند باعث بروز خطر شود (افتادن درب).



ساختار گاراژ (دیوارها، درگاه، تیغه‌ها، قطعات عرضی، ریل‌های درب...) امکان نصب Dexxo Pro را به صورت مقاوم فراهم می‌آورد. در صورت لزوم آن‌ها را تقویت کنید.

روی تجهیزات آب نپاشید. Dexxo Pro را در محلی که امکان پاشیده شدن آب وجود دارد، نصب نکنید.

جهت اجتناب از برخورد شدید و بالا بردن سطح تماس، پایین درب باید مجهز به نوار پلاستیکی باشد.

در صورتی که درب گاراژ تنها مسیر دسترسی به داخل گاراژ است، یک سیستم خلاص کن خارجی پیش بینی کنید (قفل خلاص کن بیرونی با کلید (شماره فنی 9012961) یا خلاص کن بیرونی شماره فنی 9012962) و یک باتری اضطراری (شماره فنی 9001001) تعبیه کنید. اگر درب گاراژ به یک درب عابر پیاده مجهز است، درب باید به یک سیستم که مانع حرکت آن در هنگام باز بودن درب عابر پیاده می‌شود، تجهیز شود (کیت ایمنی درب عابر پیاده شماره فنی 2400657).

اگر درب گاراژ رو به محل عبور عمومی باز می‌شود، باید یک دستگاه هشدار دهنده از نوع چراغ نارنجی (شماره فنی 9015171) نصب شود.

اگر درب گاراژ در حالت اتوماتیک عمل می‌کند، باید تجهیزات ایمنی از نوع سلول‌های فتوالکترونیک (شماره فنی 9014994) یا شماره فنی 9013647 و هشدار دهنده از نوع چراغ نارنجی نصب شود.

بررسی روی درب قسمت‌های قابل دسترس خطرناک وجود نداشته باشد، در صورت وجود آنها را ببوشانید.

### فعال کردن درب در صورت نامتعادل آن، ممکن است باعث حرکت حساب نشده شود.



## دستورالعمل‌های ایمنی

دستورالعمل‌های ایمنی باید در تمام مدت زمان عملیات نصب رعایت شوند:

- زیورآلات خود را هنگام نصب باز کنید (دستبند، زنجیر و غیره).
- برای عملیات سوراخ‌کاری و جوشکاری از عینک مخصوص و محافظ‌های مناسب استفاده کنید.
- از ابزار مناسب استفاده کنید.
- برای اجتناب از خطر آسیب دیدگی، با احتیاط روی موتور کار کنید.
- قبل از پایان عملیات نصب، برق شهر یا باتری اضطراری را وصل نکنید.
- در هیچ صورت موتور را به وسیله دستگاه شستشو با خروجی آب فشار قوی نشویید.

## نصب

### ارتفاع محل نصب شکل ۴

فاصله "D" بین بالاترین نقطه درب و سقف را اندازه گیری کنید.  
اگر اندازه "D" بین ۳۵ و ۲۰۰ میلی‌متر است، مجموعه را مستقیماً روی سقف نصب کنید.  
اگر اندازه "D" بیشتر از ۲۰۰ میلی‌متر است، مجموعه را به نحوی نصب کنید که ارتفاع "H" بین ۱۰ و ۲۰۰ میلی‌متر باشد.

### جزئیات مراحل مختلف نصب شکل ۵ تا ۱۵

نصب پایه نگهدارنده درگاه و پایه نگهدارنده درب (شکل ۵)

در حالت نصب مستقیم روی سقف (سقف چسبیده)، پایه نگهدارنده درگاه می‌تواند در صورت لزوم با یک عقب رفتگی حداکثر ۲۰۰ میلی‌متری نسبت به درگاه روی سقف نصب شود. (شکل ۵- i).

اتصال ریل دو تکه (شکل ۶)

[۱] [۲] [۳]. ۲ قطعه ریل را باز کنید.

### بررسی کنید زنجیر یا تسمه پیچ نخورده باشد.



[۴]. ۲ قطعه ریل را به وسیله یک بست رابط وصل کنید.

[۵]. مجموعه را به وسیله ۸ پیچ نصب ثابت کنید.

[۶]. برای کشیدن زنجیر یا تسمه، مهره را محکم کنید. اندازه لاستیک فشرده شده باید ۱۸ و ۲۰ میلی‌متر باشد.

پیچ‌های نصب نباید داخل ریل فرو روند (سوراخ نکنند).

در حالت نصب سقف چسبیده، از پیچ‌های نصب بست رابط استفاده نکنید.

## کلیات

این محصول با استاندارد «ایمنی، مقررات خاص برای موتور درب‌های بالارونده گاراژ، جهت استفاده در منازل منطبق است» (استاندارد EN 60335-2.95) نصب محصول براساس دستورالعمل‌های حاضر و مطابق با «برگه بررسی نصب» امکان مطابقت آن را با استانداردهای EN 13241-1 و EN 12453 فراهم می‌آورد.

هدف از دستورالعمل‌های نوشته شده در دفترچه‌های راهنمای نصب و استفاده از این محصول، تضمین الزامات ایمنی اشیاء، اشخاص و استانداردهای مقررات است. در صورت عدم رعایت این دستورالعمل‌ها، سامفی هیچ گونه مسؤلیتی در قبال بروز خرابی‌های احتمالی ندارد. محصول Dexxo Pro باید در داخل گاراژ به همراه یک سیستم کنترل اضطراری تعبیه شده، نصب شود.

بدین وسیله، سامفی اعلام می‌دارد که دستگاه با الزامات ضروری و سایر موارد بخشنامه 1999/5/EC مطابقت دارد. گواهی انطباق محصول در آدرس اینترنتی (Dexxo Pro) [www.somfy.com/ce](http://www.somfy.com/ce) قابل دسترسی است. محصول قابل استفاده در اتحادیه اروپا و سوئیس.

## دستورالعمل‌های ایمنی

### هشدار

دستورالعمل‌های مهم ایمنی. کلیه دستورالعمل‌ها را رعایت کنید، زیرا نصب نادرست می‌تواند باعث بروز آسیب‌های جدی شود.

### دستورالعمل‌های ایمنی

قبل از نصب موتور، کلیه طناب‌ها یا زنجیرهای بدون مصرف را بردارید و تمام تجهیزات غیر ضروری برای عملکرد موتور درب را کنار بگذارید. قبل از نصب موتور، بررسی کنید قسمت متحرک سالم است، در وضعیت تعادلی مناسب قرار دارد و به درستی باز و بسته می‌شود. کلیه دکمه‌های کنترل را در ارتفاع حداقل ۱،۵ متری زمین و در دیدرس درب اما دور از قسمت‌های متحرک نصب کنید.

اهرم تجهیزات خلاص کن دستی را در ارتفاع حداکثر ۱،۸ متری زمین نصب کنید.

در حالت نصب یک اهرم راه اندازی دستی قابل جدا شدن، توصیه می‌شود آن را در نزدیک ترین محل نسبت به درب قرار دهید.

برچسب مربوط به تجهیزات راه اندازی دستی را نزدیک به اهرم به حرکت درآوردن آن نصب کنید.

برچسب‌های هشدار جهت اجتناب از له شدن را در نزدیکی تجهیزات کنترل ثابت احتمالی و در محلی که به خوبی دیده شوند، نصب کنید.

بعد از نصب، اطمینان حاصل کنید که مکانیزم به نحو صحیح تنظیم شده است و هنگامی که درب با مانعی به ارتفاع ۵۰ میلی‌متر از سطح زمین برخورد می‌کند، موتور تغییر جهت می‌دهد.

بعد از نصب، اطمینان حاصل کنید که قسمت‌های درب از پیاده‌رو یا مسیر با دسترسی عمومی بیرون نزنند.

بعد از نصب، اطمینان حاصل کنید که وقتی باری به وزن ۲۰ کیلوگرم در وسط لبه پایینی درب قرار می‌گیرد، موتور مانع حرکت آن می‌شود یا آن را متوقف می‌کند.

## توصیف محصول

### محتویات شکل ۱

شماره	تعداد	شرح	شماره	تعداد	شرح
1	1	موتور	15	6	مهره HU8
2	1	درپوش موتور	16	2	محور
3	1	درپوش چراغ تعبیه شده	17	2	خار فبری
4	1	پایه نگهدارنده به درگاه	19	4	پیچ خودگیر Ø 4x8
5	1	پایه نگهدارنده به درب	20	2	پیچ برای پلاستیک Ø 3,5x12
6	2	زبانه نصب سقفی	21a	1	ریل یک تکه
7	2	زبانه نصب موتور	21b	1	ریل دو تکه
8	1	تجهیزات خلاص کن دستی	21b1	1	بست رابط
9	1	بازوی اتصال	21b2	8	پیچ خودگیر Ø 4x8
10	1	متوقف کننده انتهای مسیر	22	2	مهره HM8 خودگیر
11	4	ضربه گیر نگهدارنده زنجیر	23	2	گونیا
12	1	کابل تغذیه	24	1	فاصله‌انداز
13	4	پیچ H M8x16	25	2	ریموت کنترل Keygo
14	4	پیچ واشردار H M8x12	26	1	لامپ E14 نوع 230V 40W

### زمینه استفاده شکل ۲

#### نوع درب‌ها (شکل ۲)

**A:** درب یک تکه چرخان.

**B:** درب چند تکه:

- اگر پروفیل فوقانی چهارچوب خاص است، از «پایه نصب برای درب چند تکه» با شماره فنی: 9009390 استفاده کنید

- اگر مساحت درب بیشتر از 10 m<sup>2</sup> است، از «قطعه تبدیل درب چند تکه» با شماره فنی: 2400873 استفاده کنید.

**C:** درب کشویی:

- برای نصب روی یک فرورفتگی دیوار، از قطعات زیر استفاده کنید:

- یک ریل انتقال نیروی تسمه‌ای

- «زانویی قابل تنظیم» با شماره فنی: 9014481.

- برای نصب روی سقف، از:

- «بازوی مفصل دار» با شماره فنی: 9014482 استفاده کنید.

**D:** درب لولایی. از «کیت درب لولایی» با شماره فنی: 2400459 استفاده کنید.

**E:** برای درب‌های یک تکه سقف‌رواز قطعات زیر استفاده کنید:

- ریل انتقال نیرو با تکنولوژی بالا

- «کیت درب یک تکه سقف‌رو» شماره فنی: 2400458.

برخی از این درب‌ها را ممکن است نتوان به موتور تجهیز نمود، با بخش خدمات فنی سامفی تماس بگیرید.

2	<b>کلیات</b>
2	<b>دستورالعمل‌های ایمنی</b>
2	هشدار
2	دستورالعمل‌های ایمنی
2	<b>توصیف محصول</b>
2	محتویات
2	زمینه استفاده
3	<b>نکاتی که قبل از نصب باید بررسی شوند</b>
3	بررسی‌های اولیه
3	دستورالعمل‌های ایمنی
3	<b>نصب</b>
3	ارتفاع محل نصب
3	جزئیات مراحل مختلف نصب
5	<b>برنامه ریزی</b>
5	مشخصات دکمه‌های برنامه ریزی
5	تنظیم انتهای حرکت و برنامه ریزی خودکار
5	ثبت ریموت کنترل‌ها در حافظه برای عملکرد «باز شدن کامل»
5	<b>تست عملکرد</b>
5	استفاده از ریموت کنترل‌ها
5	عملکرد تشخیص مانع
5	عملکرد چراغ تعبیه شده
6	<b>اتصال تجهیزات جانبی</b>
6	مشخصات تجهیزات مختلف
6	اتصال الکتریکی تجهیزات مختلف
7	<b>تنظیم پارامترها</b>
7	نمودار کلی تنظیم پارامترها
7	مفهوم پارامترهای مختلف
9	<b>حذف ریموت کنترل‌ها و کلیه تنظیمات از حافظه</b>
9	حذف ریموت کنترل‌ها از حافظه
9	تنظیم مجدد کلیه تنظیمات
9	<b>غیر فعال کردن دکمه‌های برنامه ریزی</b>
9	<b>نصب مجدد درپوش‌ها</b>
9	<b>عیب‌یابی</b>
9	نمایش کدهای عملکرد
9	نمایش کدهای برنامه ریزی
10	نمایش کدهای خطا و ایرادات
10	دسترسی به اطلاعات ثبت شده در حافظه
11	<b>مشخصات فنی</b>
11	ابعاد

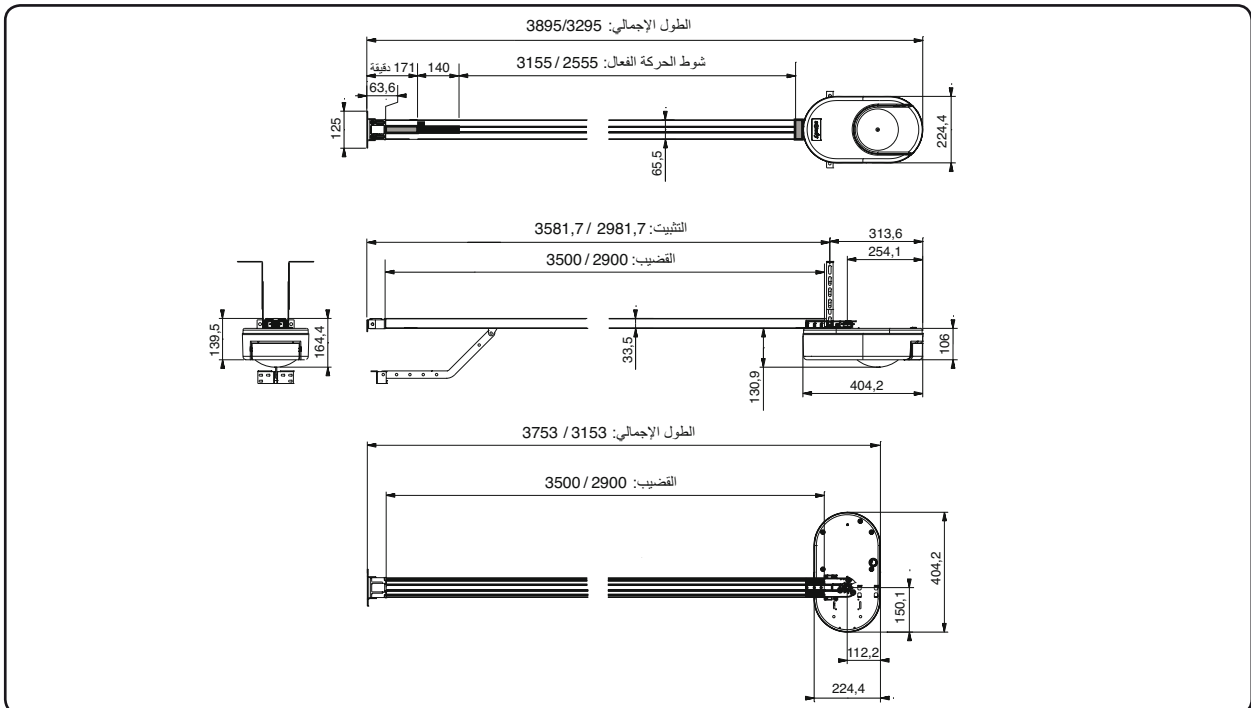


## المواصفات الفنية

المحرك Dexxo Pro 1000 RTS	المحرك Dexxo Pro 800 RTS	الخصائص العامة
٢٣٠ قاط - ٥٠ هرتز	٥ واط - ٦٠٠ واط (مع إضاءة منفصلة ٥٠٠ واط)	منبع الطاقة الحد الأقصى للطاقة المستهلكة قوة الجر
١٠٠٠ نيوتن ٨٠٠ نيوتن	٨٠٠ نيوتن ٦٥٠ نيوتن	الاستخدام عدد دورات الفتح/الغلق في اليوم السرعة القصوى لوحة البرمجة ظروف الاستعمال المناخية الحدود الطرفية
بحد أقصى ٢٠ دورة في اليوم مع قضيب قياسي - بحد أقصى ٥٠ دورة في اليوم مع قضيب فائق الأداء تم اختياره لتنفيذ ٣٦٥٠٠ دورة مع قضيب قياسي و ٩٠٠٠٠ دورة مع قضيب فائق الأداء ١٨ سم/ث	٧ أزرار - شاشة LCD سطرين ٢٠ - ٢٠٠ منوية / + ٢٠٠ منوية - جاف من الداخل IP 20 - ثنائية مصد آلي للفتح والإلكتروني للغلق: وضع الغلق المخزن الفئة 2: عزل مزدوج ٢٣٠ قاط / ٤٠ واط، دوارة E14 RTS ٤٢٣٠، ٤٢ ميغاهرتز ٣٢	العزل الإلكتروني إضاءة مدمجة التردد اللاسلكي لسومفي عدد القوات التي يمكن تخزينها
توصيل ثانوي: NC خلايا كهروضوئية RX/TX - خلايا انعكاسية - قضيب استشعار مخرج توصيل ثانوي توصيل ثانوي: NC توصيل ثانوي: NO	٢٣٠ قاط - ٥٠٠ واط - الفئة 2 ٢٤ قاط - ١٥ واط مع عنصر تحكم مدمج في الوميض نعم: للاختبار الأوتوماتيكي المتاح للخلايا الكهروضوئية RX/TX نعم: للاختبار الأوتوماتيكي المتاح للخلايا الانعكاسية أو قضيب الاستشعار ٢٤ قاط - ٥٠٠ مللي أمبير بحد أقصى نعم: هوائي متوافق RTS (Réf. 2400472) نعم: بطارية متوافقة (Réf. 9001001) ٢٤ ساعة، ٥ إلى ١٠ دورات تبعاً لنوع الباب زمن الشحن: ٤٨ ساعة	توصيلات مدخل السلامة مدخل السلامة للباب الصغير لعبور الأشخاص مدخل وحدة التحكم السلكية مخرج الإضاءة المنفصلة مخرج المصباح البرتقالي مخرج منبع الطاقة ٢٤ قاط محكوم مخرج اختبار مدخل السلامة مخرج منبع طاقة التتابع مدخل الهوائي المنفصل مدخل البطارية الاحتياطية
بالضغط المتواصل على زر التحكم في المحرك نعم بالنسبة للإضاءة المنفصلة قابل للبرمجة: من ٦٠ ث إلى ٦٠٠ ث نعم: زمن إعادة الغلق قابل للبرمجة من ١٠ ث إلى ١٢٠ ث قابل للبرمجة: بدون أو مع تحذير (مدة ثابتة ٢ ث) قابل للبرمجة: توقف - إعادة الفتح الجزئي - إعادة الفتح الكلي قابل للبرمجة: بدون تأثير أو منع التحرك حساسية قابلة للضبط: ٤ مستويات قابل للبرمجة: إعادة الفتح الجزئي أو إعادة الفتح الكلي نعم يسهل اختياره: وضع الفتح الجزئي قابل للضبط نعم قابلة للبرمجة من ٣,٥ سم/ث إلى ١٨ سم/ث: ١٠ قيم ممكنة قابلة للبرمجة من ٣,٥ سم/ث إلى ١٨ سم/ث: ١٠ قيم ممكنة قابلة للبرمجة: لا يوجد تباطؤ، منطقة التباطؤ قصيرة (٣٠ سم)، منطقة التباطؤ طويلة (٥٠ سم) تسجيل ومراجعة المعطيات: عداد الدورات، عداد الدورات مع خاصية اكتشاف علق، عدد القوات اللاسلكية المخزنة، سجل آخر ١٠ أخطاء مسجلة	مدى كفاية الطاقة	التشغيل وضع التشغيل القسري تحكم منفصل في الإضاءة زمن الإضاءة (بعد التحرك) وضع الغلق الأوتوماتيكي تحذير المصباح البرتقالي تشغيل مدخل السلامة خاصية اكتشاف العوائق المدمجة التشغيل في حالة اكتشاف عائق التحكم في الفتح الجزئي محدد مسبقاً التدوير التدريجي سرعة الفتح سرعة الغلق سرعة الاقتراب من الغلق تشخيص الأعطال

(1) الجهد الأقصى يتيح انفصال الباب من مكانه ثم تحركه لمسافة ٥ سم على الأقل (تبعاً لتعريف RAL GZ).

## الأبعاد



## بيان أكواد الأخطاء والأعطال

الكود	الشرح	ملاحظات	ما العمل؟
E2	مدخل السلامة مفعل بشكل مستمر	يظهر طالما ظل مدخل السلامة مفعلاً لأكثر من 3 دقائق.	تحقق من عدم وجود عائق يتم كشفه من خلال الخلايا أو قضيب الاستشعار. تحقق من صحة ضبط البارامتر "P2" وفقاً للتجهيز الموصلة بمدخل السلامة. تحقق من التمديدات السلكية لتجهيزات السلامة. في حالة الخلايا الكهروضوئية، تحقق من محاذاتها.
E4	خطأ الاختبار الأوتوماتيكي لتجهيزات السلامة	الاختبار الأوتوماتيكي لتجهيزات السلامة غير مُرضٍ.	تحقق من صحة ضبط البارامتر "P2" وفقاً للتجهيز الموصلة بمدخل السلامة. تحقق من التمديدات السلكية لتجهيزات السلامة. في حالة الخلايا الكهروضوئية، تحقق من محاذاتها.
Eb Ec	أخطاء وأعطال أخرى	هذه الأكواد تتعلق بمختلف أعطال البطاقة الإلكترونية.	افصل منبع الطاقة الكهربائية (الرئيسي + البطارية الاحتياطية)، وانتظر بضع دقائق ثم أعد توصيل منبع الطاقة. قم بتنفيذ دورة برمجة أوتوماتيكية. إذا استمر ظهور الخلل، اتصل بخدمة الدعم الفني بشركة سومفي.
H1	اكتشاف كسر	يظهر ما دام الكسر قد حدث من خارج الجراج (قراءة من خلال إعادة توصيل التيار)	إيقاف صفارة الإنذار، اضغط على أحد أزرار جهاز التشغيل عن بعد المخزن. قم بعمل دورة فتح وغلق كاملة للباب.
H2	اكتشاف كسر	يظهر ما دام الكسر قد حدث من خارج الجراج (قراءة من خلال مشفر بصري)	إيقاف صفارة الإنذار، اضغط على أحد أزرار جهاز التشغيل عن بعد المخزن. قم بعمل دورة فتح وغلق كاملة للباب.
CC	ضرورة إجراء الصيانة	يظهر طالما هناك ضرورة لصيانة النظام. تم بلوغ عدد الدورات المبرمج بالبارامتر "PA".	قم بتأحية أو تعديل القيمة "PA" الحالية أو إبطال فعالية وظيفة «بيان ضرورة إجراء الصيانة».

## الدخول إلى المعطيات المخزنة

للوصول إلى المعطيات المخزنة اختر البارامتر "Ud" ثم اضغط على "OK" (صورة 31).

المعطيات	الشرح
U0	عدد الدورات الإجمالي: عشرات وأحاد
U1	عدد الدورات الإجمالي: آلاف، مئات
U2	عدد الدورات الإجمالي: مئات الآلاف
U3	عدد دورات مع اكتشاف عائق: عشرات وأحاد
U4	عدد دورات مع اكتشاف عائق: آلاف
U5	عدد قنوات التحكم المخزنة
d0 حتى d9	سجل آخر 10 أخطاء
dd	محو سجل الأخطاء: اضغط على "OK" لمدة 7 ث (صورة 31).

## محو أجهزة التشغيل عن بعد وجميع أوضاع الضبط

### محو أجهزة التشغيل عن بعد صورة 38

الضغط على الزر "PROG" حتى تومض اللمبة (لمدة ٧ ث).  
يؤدي إلى محو جميع أجهزة التشغيل عن بعد المخزنة.

### إعادة تهيئة جميع أوضاع الضبط صورة 39

الضغط على الزر "SET" حتى تنطفئ اللمبة (لمدة ٧ ث).  
يؤدي إلى محو البرمجة الأوتوماتيكية والعودة إلى القيم القياسية لجميع البارامترات.

## تأمين قفل أزرار البرمجة (صورة 40)

يتم تأمين عمليات البرمجة (ضبط الحدود الطرفية، البرمجة الأوتوماتيكية، ضبط البارامتر).  
الضغط في آن واحد على الأزرار "SET"، "+"، "-".  
- ينبغي أن يبدأ الضغط أولاً على "SET".  
- وينبغي أن يتم خلال الثانتين التاليين الضغط على الزرين "+" و "-".  
للولصول مجدداً إلى وضع البرمجة، كرر نفس الإجراء.

## إعادة تركيب الأغشية (صورة 41)

تثبيت الهوائي وتركيب الأغشية.

لتأمين مدى جيد لوحدة التحكم اللاسلكية، ينبغي تركيب الهوائي تبعاً لأحد الموضعين الموضحين في صورة ٤١.



## تشخيص الأعطال

### بيان أكواد التشغيل

الكود	الشرح	ملاحظات
C1	انتظار تلقي أمر التحكم	
C2	فتح الباب	
C3	انتظار إعادة غلق الباب	
C4	غلق الباب	
C5	اكتشاف عائق	يظهر أثناء اكتشاف عائق ويستمر لمدة ٣٠ ث.
C6	مدخل السلامة مفعل	يظهر أثناء طلب تحرك أو أثناء الحركة، طالما كان مدخل السلامة مفعلًا. يستمر ظهوره طالما ظل مدخل السلامة مفعلًا.
C9	لدواعي السلامة يتم تفعيل حافة تلامس الباب الصغير لعبور الأشخاص	يظهر أثناء طلب تحرك أو أثناء الحركة، طالما كانت حافة تلامس الباب الصغير لعبور الأشخاص مفعلًا. يستمر ظهوره طالما بقيت حافة تلامس الباب الصغير لعبور الأشخاص مفتوحة.
Ca	جاري إجراء اختبار أوتوماتيكي لتجهيزات السلامة	يظهر أثناء سريان الاختبار الأوتوماتيكي لتجهيزات السلامة.
Cb	أمر تحكم سلبي دائم	يدل على تفعيل مدخل التحكم السلبي بشكل دائم (المفتاح مغلق). وبذلك يتم منع أوامر التحكم الواردة من الأجهزة اللاسلكية للتشغيل عن بعد.
Cd	التشغيل على البطارية الاحتياطية	انتظار تلقي أمر التحكم

### بيان أكواد البرمجة

الكود	الشرح	ملاحظات
S1	انتظار الضبط	الضغط على الزر "SET" لمدة ثانيتين يؤدي إلى تشغيل وضع البرمجة الأوتوماتيكية.
S2	وضع البرمجة الأوتوماتيكية	الضغط على الزر "OK" يتيح تشغيل دورة البرمجة الأوتوماتيكية: يصبح البيان S2 وماضاً أثناء الدورة بالكامل. الضغط على الأزرار "+" أو "-" يتيح التحكم في المحرك على وضع التشغيل القسري.
F0	انتظار تخزين جهاز التشغيل عن بعد للتشغيل على وضع الفتح الكلي	الضغط على أحد أزرار جهاز التشغيل عن بعد يتيح تخصيص هذا الزر للتحكم في الفتح الكلي للمحرك. الضغط مرة أخرى على زر البرمجة "PROG" يتيح الانتقال إلى وضع «انتظار تخزين جهاز التشغيل عن بعد للتشغيل في وضع الفتح الجزئي: F1».
F1	انتظار تخزين جهاز التشغيل عن بعد للتشغيل على وضع الفتح الجزئي	الضغط على أحد أزرار جهاز التشغيل عن بعد يتيح تخصيص هذا الزر للتحكم في الفتح الجزئي للمحرك. الضغط مرة أخرى على زر البرمجة "PROG" يتيح الانتقال إلى وضع «انتظار تخزين زر التحكم في الإضاءة المنفصلة: F2».
F2	انتظار تخزين زر التحكم في الإضاءة المنفصلة	الضغط على أحد أزرار جهاز التشغيل عن بعد يتيح تخصيص هذا الزر للتحكم في الإضاءة المنفصلة. الضغط مرة أخرى على زر البرمجة "PROG" يتيح الانتقال إلى وضع «انتظار تخزين جهاز التشغيل عن بعد للتشغيل في وضع الفتح الكلي: F0».



الكود	الشرح	القيم	ملاحظات
P8	سرعة الفتح	0: أقل سرعة: حوالي ٣,٥ سم/ث حتى 9: أعلى سرعة: حوالي ١٨ سم/ث	
P9	اختيار اتجاه التشغيل (نوع الباب)	0: الاتجاه 1: أي نوع باب ما عدا المصراعي 1: الاتجاه 2: الباب المصراعي	في حالة تعديل هذا البارامتر يلزم مجدداً ضبط الحد الطرفي والبرمجة الأوتوماتيكية.
PA	بيان ضرورة إجراء الصيانة	0: لا يوجد بيان 1: ١٠٠ دورة حتى 99: ٩٩٠٠ دورة (عدد الدورات = القيمة × ١٠٠ دورة)	عندما يصل المحرك إلى عدد الدورات المبرمجة، تومض الإضاءة المدمجة مع كل تحرك للباب في إشارة إلى ضرورة إجراء الصيانة. لإيقاف وميض الإضاءة المدمجة، يلزم إما إتاحة أو تعديل القيمة الحالية، أو إبطال فعالية بيان الصيانة.
Pb	اكتشاف كسر	0: لم يتم اكتشاف كسر 1: اكتشاف كسر ظاهر 2: اكتشاف كسر ظاهر بشكل بسيط	يتم تفعيل خاصية اكتشاف الكسر بعد ٣٠ ثانية من غلق الباب. في حالة اكتشاف كسر، تنطلق صفارة الإنذار لمدة دقيقتين. ولإيقافها اضغط على زر جهاز التشغيل عن بعد. في حالة تركيب خلايا كهروضوئية (2=P2)، فيتعين توصيلها بمنع طاقة مستمر (برجى استشارة دليل تركيب صفارة الإنذار).
A0	إجراء السلامة قبل الفتح (السلامة ADMAP)	0: بدون تأثير 1: منع التحرك	في حالة اختيار القيمة 1، فإن تفعيل مدخل السلامة يمنع فتح الباب.
A1	إجراء السلامة للغلق	1: توقف 2: توقف + إعادة الفتح جزئياً 3: إعادة الفتح بشكل كامل	القيمة 1 غير متاحة في حالة استعمال قضيب استشعار على مدخل السلامة.
A2	إجراء اكتشاف عائق ما أثناء الغلق	2: توقف + إعادة الفتح جزئياً 3: إعادة الفتح بشكل كامل	
t0	زمن الغلق الأوتوماتيكي للتشغيل الكلي	من 0 إلى 12 (قيمة الزمن = القيمة × ١٠ ث) 2: ٢٠ ث	
t1	زمن الإضاءة المدمجة	من 0 إلى 60 (قيمة الزمن = القيمة × ١٠ ث) 6: ٦٠ ث	
t2	زمن الغلق الأوتوماتيكي للتشغيل الجزئي	من 0 إلى 12 (قيمة الزمن = القيمة × ١٠ ث) 2: ٢٠ ث	

(النص المكتوب بالخط السميك = القيم القياسية)

مثال على البرمجة: ضبط سرعة الاقتراب أثناء الغلق "P7" (صورة 32)

ضبط البارامتر لمنطقة التباطؤ الطويل "P7" = 2.

حالة خاصة: ضبط وضع الباب للفتح الجزئي (صورة 33)

الوصول إلى البارامتر "P6" والتفعيل بواسطة "OK"

وضع الباب في وضع الفتح الجزئي المرغوب:

. الضغط المطول على الزر "−" يؤدي إلى الغلق.

. الضغط المطول على الزر "+" يؤدي إلى الفتح.

. التفعيل بواسطة "OK".

. الخروج من القائمة بواسطة "SET".

وضع التحريك القسري (صورة 34)

تسمح هذه الوظيفة بتحريك الباب في أي لحظة (مثلاً عند فقدان جهاز التشغيل عن بعد، أو وجود خلل في تجهيزات السلامة...):

. الضغط المطول على الزر "−" يؤدي إلى الغلق.

. الضغط المطول على الزر "+" يؤدي إلى الفتح.

تخزين جهاز التشغيل عن بعد للتشغيل في وضع «الفتح الجزئي» (صورة 35)

تخزين جهاز التشغيل عن بعد للتحكم في الإضاءة المنفصلة (صورة 36)

تخزين جهاز تشغيل عن بعد من النوع Telis أو من نوع مشابه (صورة 37)

## حالات تشغيل خاصة

راجع كتيب المستخدم صفحة 4.

إضافة جهاز تشغيل عن بعد بدون فتح المحرك (راجع كتيب المستخدم صفحة 5)

بواسطة جهاز التشغيل عن بعد (صورة 12a)

بواسطة جهاز التشغيل عن بعد Telis أو جهاز مشابه (صورة 12b)

## ضبط البارامتر

### المخطط العام لضبط البارامتر صورة 31

#### مدلول البارامترات المختلفة

الكود	الشرح	القيم	ملاحظات
P0	وضع التشغيل الكلي	0: التتابعي	أي ضغط على زر جهاز التشغيل عن بعد يؤدي إلى تحرك المحرك (الوضع الأولي: الباب مغلق) تبعاً للدورة التالية: فتح، توقف، غلق، توقف، فتح ...
		1: تتابعي + زمن غلق	في الوضع التتابعي مع زمن الغلق الأوتوماتيكي: - يتم غلق الباب أوتوماتيكياً بعد انقضاء الزمن المبرمج بالبارامتر "t0"، - الضغط على زر جهاز التشغيل عن بعد يقطع كل من التحرك الجاري ويقوم بإلغاء زمن الغلق.
		2: الغلق الأوتوماتيكي	في وضع الغلق الأوتوماتيكي: - يتم غلق الباب أوتوماتيكياً بعد انقضاء الزمن المبرمج بالبارامتر "t0"، - الضغط على زر جهاز التشغيل عن بعد أثناء الفتح لا يحدث أي تأثير، - الضغط على زر جهاز التشغيل عن بعد أثناء الغلق يؤدي إلى إعادة الفتح، - الضغط على زر جهاز التشغيل عن بعد أثناء زمن الغلق يؤدي إلى إعادة تفعيل الزمن.
		3: الغلق الأوتوماتيكي بواسطة الخلايا	لا يمكن التشغيل في وضع الغلق الأوتوماتيكي إلا إذا تم تركيب الخلايا الكهروضوئية. بمعنى أن P2=1 أو P2=2.
P1	تحذير المصباح البرتقالي	0: بدون تحذير 1: مع تحذير لمدة ثانيتين	بعد فتح الباب، فإن المرور أمام الخلايا (تأمين الغلق) يؤدي إلى الغلق بعد زمن قصير (5 ث ثابتة). إذا لم يتم المرور أمام الخلايا، فينغلق الباب أوتوماتيكياً بعد زمن الغلق المبرمج بالبارامتر "t0". في حالة وجود عائق ما في منطقة اكتشاف الخلايا، فإن الباب لا ينعلق. وينغلق عند زوال العائق.
P2	مدخل السلامة	0: لا توجد تجهيزات للسلامة 1: تجهيزات السلامة مع اختبار أوتوماتيكي 2: تجهيزات السلامة بدون اختبار أوتوماتيكي	إذا كان الجراج مطلاً على طريق عام، فيتعين اختيار مع تحذير: P1=1.
P3	حساسية خاصة لاكتشاف العوائق	0: منخفضة الحساسية للغاية 1: منخفضة الحساسية 2: قياسية 3: عالية الحساسية	إذا تم اختيار القيمة 0، فلا يتم بذلك أخذ مدخل السلامة في الاعتبار. إذا تم اختيار القيمة 1، فيؤدي ذلك إلى إجراء الاختبار الأوتوماتيكي للتجهيزة عند كل دورة تشغيل. إذا تم اختيار القيمة 2، فإن تجهيزات السلامة تكون بدون اختبار أوتوماتيكي، ويتعين اختبار الأداء الوظيفي للتجهيزة كل 6 أشهر.
P4	وضع التشغيل الجزئي	0: التتابعي	في حالة تعديل هذا البارامتر، يلزم إجراء قياس للجهد عند انتهاء التركيب أو تركيب قضيب استشعار.
P5	سرعة الغلق	0: أقل سرعة: حوالي 3,5 سم/ث حتى 9: أعلى سرعة: حوالي 18 سم/ث ضبط قياسي، 6: حوالي 12 سم/ث	أي ضغط على زر جهاز التشغيل عن بعد يؤدي إلى تحرك المحرك (الوضع الأولي: الباب مغلق) تبعاً للدورة التالية: فتح، توقف، غلق، توقف، فتح ...
P6	وضع الفتح الجزئي	تسجيل الوضع الحقيقي تبعاً للصورة 33	لا يمكن التشغيل في وضع الغلق الأوتوماتيكي إلا إذا تم تركيب الخلايا الكهروضوئية. بمعنى أن P2=1 أو P2=2. في الوضع التتابعي مع زمن الغلق الأوتوماتيكي: - يتم غلق الباب أوتوماتيكياً بعد انقضاء الزمن المبرمج بالبارامتر "t2"، - الضغط على زر جهاز التشغيل عن بعد يقطع كل من التحرك الجاري وزمن الغلق.
P7	سرعة الاقتراب من الغلق	0: لا يوجد تباطؤ 1: تباطؤ قصير 2: تباطؤ طويل	في حالة تعديل هذا البارامتر، يلزم إجراء قياس للجهد عند انتهاء التركيب أو تركيب قضيب استشعار.

## توصيلات التجهيزات الملحقة

### شرح التجهيزات الملحقة المختلفة صورة 21

الرقم	الوصف	الرقم	الوصف
1	مصباح برتقالي	7	طقم أمان الباب الصغير
2	الإضاءة المنفصلة	8	خلايا كهروضوئية
3	لوحة المفاتيح السلوكية	9	خلية من النوع Reflex
4	مفتاح تشغيل	10	قضيب استشعار
5	هوائي	11	صفارة الإنذار
6	البطارية		

### التوصيل الكهربائي للتجهيزات الملحقة المختلفة صورة 21 إلى 30

قم بفصل التيار الكهربائي عن المحرك قبل إجراء أي تدخل على التجهيزات الملحقة. إذا ظلت الشاشة مطفاة بعد التدخل، تحقق من التمديدات السلوكية (وجود قفلة كهربائية أو عكس وضعية الأقطاب).

#### المخطط الكهربائي العام (صورة 21)

#### الخلايا الكهروضوئية (صورة 22)

يمكن عمل نوعين من التوصيل:

أ: قياسي (بدون اختبار أوتوماتيكي): قم ببرمجة البارامتر "P2" = 2.

ب: مع اختبار أوتوماتيكي: قم ببرمجة البارامتر "P2" = 1.  
يُتيح تنفيذ اختبار أوتوماتيكي للأداء الوظيفي للخلايا الكهروضوئية عند كل تحرك للباب. إذا كانت نتيجة اختبار الأداء الوظيفي سلبية، فلا يمكن إجراء أي تحريك للباب.

#### الخلايا الكهروضوئية Reflex (صورة 23)

مع اختبار أوتوماتيكي: قم ببرمجة البارامتر "P2" = 1.  
يُتيح تنفيذ اختبار أوتوماتيكي للأداء الوظيفي للخلايا الكهروضوئية عند كل تحرك للباب. إذا كانت نتيجة اختبار الأداء الوظيفي سلبية، فلا يمكن إجراء أي تحريك للباب.

#### قضيب استشعار (صورة 24)

مع اختبار أوتوماتيكي: قم ببرمجة البارامتر "P2" = 1.  
يُتيح تنفيذ اختبار أوتوماتيكي للأداء الوظيفي لقضيب الاستشعار عند كل تحرك للباب. إذا كانت نتيجة اختبار الأداء الوظيفي سلبية، فلا يمكن إجراء أي تحريك للباب.

يتعين برمجة البارامتر "P2" لكي يتم بشكل سليم أخذ الخلايا الكهروضوئية أو قضيب الاستشعار في الاعتبار.



#### المصباح البرتقالي (صورة 25)

قم ببرمجة البارامتر "P1" وفقاً لوضع التشغيل المرغوب:  
• بدون تحذير قبل تحرك الباب: "P1" = 0.  
• مع تحذير قبل تحرك الباب بثانيتين: "P1" = 1.

#### الكود الرقمي (صورة 26)

#### طقم أمان الباب الصغير (صورة 27)

عند تركيب حافة تلامس الباب الصغير لعبور الأشخاص، فإنه ينبغي توصيلها في مكان القنطرة المنفذة بين الطرفين 5 و 6.

في حالة إزالة حافة تلامس الباب الصغير لعبور الأشخاص، يتعين عمل القنطرة بين الطرفين 5 و 6.



#### البطارية (صورة 28)

#### الهوائي (صورة 29)

#### الإضاءة المنفصلة (صورة 30)

أي إضاءة موصلة ينبغي أن تكون من الفئة 2 (عزل مزدوج).  
يمكن توصيل العديد من عناصر الإضاءة بدون تخطي طاقة إجمالية قدرها ٥٠٠ واط.

#### صفارة الإنذار

لمزيد من التفاصيل عن توصيل صفارة الإنذار، يرجى مراجعة دليل التركيب.

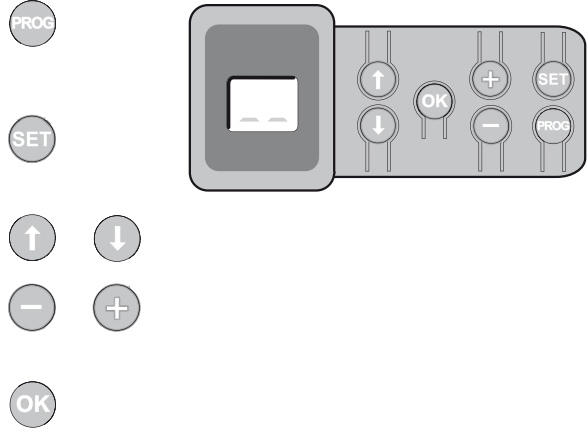
برمجة البارامتر "Pb" لتفعيل صفارة الإنذار:

- عندما تكون صفارة الإنذار غير مُفعلة، فإن البارامتر "Pb" = 0.
- صفارة الإنذار مُفعلة: عندما يكون البارامتر "Pb" = 1 أو البارامتر "Pb" = 2.

## البرمجة

### شرح أزرار البرمجة

- . الضغط لمدة ثانيتين: تخزين أجهزة التشغيل عن بعد
- . الضغط لمدة ٧ ث: محو أجهزة التشغيل عن بعد
- . الضغط لمدة ٥, ٠ ث: مدخل ومخرج قائمة ضبط البارامتر
- . الضغط لمدة ثانيتين: تشغيل البرمجة الأوتوماتيكية
- . الضغط لمدة ٧ ث: محو البرمجة الأوتوماتيكية والبارامترات
- . قطع البرمجة الأوتوماتيكية
- . اختيار أحد البارامترات
- . تعديل قيمة أحد البارامترات
- . استعمال وضع التشغيل القسري
- . تشغيل دورة البرمجة الأوتوماتيكية
- . إتاحة اختيار أحد البارامترات
- . إتاحة قيمة أحد البارامترات



### ضبط الحد الطرفي والبرمجة الأوتوماتيكية صورة 16

في حالة وجود باب مصراعي، قم بتعديل البارامتر P9 قبل الشروع في البرمجة الأوتوماتيكية.

[١]. اضغط على الزر "SET" حتى تضيء اللمبة (لمدة ثانيتين).  
يظهر في الشاشة "S2".

[٢]. قم بإعطاء أوامر للباب بواسطة الأزرار "+" أو "-" حتى يتم تعشيق مكوك النقل على العربة ويتحرك الباب إلى وضع الغلق.

• الضغط المتواصل على الزر "-" يؤدي إلى تحريك المكوك باتجاه الغلق.  
حرر الزر "-" قبل أي ضغط زائد للمحرك على الباب.

• الضغط المتواصل على الزر "+" يؤدي إلى تحريك المكوك باتجاه الفتح.

[٣]. اضبط وضع الغلق بواسطة الأزرار "+" أو "-".

حرر الزر "-" قبل أي ضغط زائد للمحرك على الباب.

[٤]. اضغط على الزر "OK" لتفعيل الحد الطرفي للغلق وبدء دورة برمجة أوتوماتيكية.  
يقوم الباب بعمل دورة فتح وغلق.

• إذا كانت البرمجة الأوتوماتيكية صحيحة، يظهر على الشاشة "C1".

• أما إذا كانت البرمجة الأوتوماتيكية غير صحيحة، يظهر على الشاشة "S1".

أثناء البرمجة الأوتوماتيكية:

• إذا كان الباب في حالة تحرك، فإن الضغط على أي زر يوقف الحركة ويقطع وضع البرمجة الأوتوماتيكية.

• إذا كان الباب متوقفاً، فإن الضغط على الزر "SET" يتيح الخروج من وضع البرمجة الأوتوماتيكية.

يمكن الدخول في وضع البرمجة الأوتوماتيكية في أي لحظة ما دام قد تم تنفيذ دورة البرمجة الأوتوماتيكية مسبقاً ويظهر على الشاشة "C1".

### تخزين أجهزة التشغيل عن بعد للتشغيل على وضع «الفتح الكلي» صورة 17

يمكن تخزين حتى ٣٢ قناة لوحدات التحكم.

تنفيذ هذا الإجراء على قناة مخزنة مسبقاً سوف يؤدي لمحوها.

عند هذه المرحلة من التركيب، يصبح المحرك Dexxo Pro جاهزاً للتشغيل.

## مراجعة الأداء الوظيفي

### استعمال أجهزة التحكم اللاسلكية صورة 18

### تشغيل خاصية اكتشاف العوائق صورة 19 و 20

اكتشاف عائق ما أثناء الفتح يؤدي إلى توقف الباب (صورة 19).

اكتشاف عائق ما أثناء الغلق يؤدي إلى إعادة فتح الباب (صورة 20).

تحقق أن وظيفة اكتشاف العوائق تعمل عند مصادفة الباب لعائق ما على ارتفاع ٥٠ ملم من الأرض.

### تشغيل الإضاءة المدمجة

تضيء اللمبة في كل مرة تشغيل للمحرك. وتنطفئ أوتوماتيكياً بعد مرور دقيقة من انتهاء تحريك الباب. يمكن ضبط هذا التوقيت (راجع فصل ضبط البارامتر). الاستعمال المتكرر الذي يؤدي إلى إضاءة اللمبة بشكل متواصل، قد يسبب انطفاء اللمبة بفعل خاصية الحماية الحرارية.

تجميع القضيب برأس المحرك (صورة 7)

تثبيت المجموعة بسقف الجراج (الصور 8 إلى 10)

التثبيت بالركاب السائد (صورة 8)

التثبيت بالسقف

- سقف معلق: التثبيت بالسقف مباشرة بواسطة القضيب (صورة 9).
- يمكن إضافة نقاط تثبيت بمستوى رأس المحرك (صورة 9- i).

• سقف منفصل: إمكانيتان:

- التثبيت بمستوى رأس المحرك (صورة 10- a)
- التثبيت بمستوى القضيب (صورة 10- b)

لضمان تثبيت وسطي مضبوط بطول القضيب، أو تثبيت يتراوح فيه البعد h بين ٢٥٠ ملم و ٥٥٠ ملم، استخدم طقم تثبيت بالسقف réf.: 9014462 (صورة 10- i).

تثبيت الذراع بالباب وبالعربة (صورة 11)

[١]. افصل حركة العربة بواسطة آلية الفصل اليدوي للحركة.

[٢]. حرك العربة إلى مستوى الباب.

[٣]. قم بتثبيت الذراع بركاب الباب وبالعربة.

ضبط وتثبيت مصد الفتح (صورة 12)

[١]. افصل حركة العربة بواسطة آلية الفصل اليدوي للحركة وحرك الباب إلى وضع الفتح.

لا تفتح الباب كلياً، ولكن حركه بحيث لا يصل إلى المصدات.

[٢]. قم بتعشيق المصد (10) في القضيب ثم قم بتدويره بمقدار ٩٠°.

[٣]. ضع المصد في مواجهة العربة.

[٤]. قم بإحكام ربط برغي التثبيت دون مبالغة.

لا تعتمد على إحكام ربط برغي التثبيت إلى أقصى حد ممكن. حيث أن المبالغة في إحكام الربط من شأنها إتلاف البرغي وعدم انتصاب المصد بشكل سليم.



تركيب وسادات لتثبيت الجنزير (صورة 13)

في حالة القضبان ذات الجنازير فقط.

هذه الوسادات من شأنها الحد من الضوضاء الناتجة عن احتكاك الجنزير في القضيب. ضع كل وسادة في أول فتحة من فتحات القضيب من خارج الحدود الطرفية.

احرص على إدخال الوسادة حتى النهاية بحيث يتخطى ظفر التثبيت إلى خارج القضيب.

التحقق من قوة شد الجنزير أو السير (صورة 14)

يتم توريد القضبان بقوة شد مضبوطة مسبقاً ومختبرة. إذا استلزم الأمر، اضبط قوة الشد.

لا ينبغي أبداً ضغط المطاط أو زنبرك الشد تماماً أثناء التشغيل.



التوصيل الكهربائي لمنبع الطاقة (صورة 15)

[١]. قم بفك غطاء المحرك واخلع ورقة الحماية.

[٢]. قم بتركيب اللبنة.

[٣]. قم بالتوصيل بمنبع الطاقة.

قم بتوصيل كبل منبع الطاقة بمقيس مخصص لهذا الغرض ومتوافق مع الاشتراطات الكهربائية. ينبغي أن يكون الخط الكهربائي مجهزاً بتجهيزة حماية (مصهر

أو مفتاح قاطع للدائرة بشدة ١٦ أمبير) وعنصر حماية تفاضلي (٣٠ مللي أمبير).



يتعين وجود وسيلة فصل متعددة الأقطاب لمنبع الطاقة:

• إما باستعمال كبل لمنبع الطاقة مجهز بمقيس للتيار،

• أو بواسطة مفتاح يؤمن مسافة لعزل عناصر التلامس بعد أننى ٣ ملم على كل قطب

(راجع المواصفة EN60335-1).



تحقق من وجود آلية الفصل اليدوي للحركة على ارتفاع ١,٨٠ متر بحد أقصى عن الأرض.

إذا استلزم الأمر، قم بتطويل الحبل.



### أبعاد الأبواب (صورة 3)

فيما يتعلق بالحد الأقصى لارتفاعات الأبواب، يمكن تعديل شوط حركة المحرك:

- يرفع رأس المحرك ٩٠° (صورة 7- i).
- بتهيئة ركاب ساند بالسقف مع رجوعه عن الدعامة بمقدار ٢٠٠ ملم بحد أقصى. (صورة 5- i)
- من خلال قطع ذراع الوصل.

## بعض النقاط الواجب التحقق منها قبل التركيب

### الفحوصات الأولية

ينبغي أن يتحرك باب الجراج يدوياً بطريقة سلسلة دون أية مقاومة. تحقق من حالته الميكانيكية الجيدة (البكرات، الدعامات...) و (قوة شد الزنبرك).

أية تدخلات يتم إجرائها على زنبركات الباب قد تمثل خطورة (سقوط الباب).



المكونات الهيكلية للجراج (الجدران، الدعامة، الجوانب الداخلية، العوارض، قضبان الباب...) تسمح بتركيب المحرك Dexxo Pro بثبات ومثانة. قم بتدعيمها إذا استلزم الأمر.

لا تعتمد إلى إلقاء الماء على الجهاز. لا تقم بتركيب المحرك Dexxo Pro في مكان عرضة لوصول الماء عليه.

ينبغي أن يكون الباب مجهزاً بمقطع مرن لتجنب التلامس الصلب وزيادة سطح التلامس.

إذا كان الباب هو المدخل الوحيد للجراج، فيجب اتخاذ الاحتياطات لذلك من خلال توفير تجهيزات فصل حركة من الخارج (قفل بمفتاح للتحرير من الخارج (réf. 9012961) أو تجهيزات فتح من الخارج (réf. 9012962) واستعمال بطارية احتياطية (réf. 9001001).

إذا كان باب الجراج مجهزاً بباب صغير لعبور الأشخاص، فيجب تجهيز باب الجراج بنظام يمنع تحركه عندما يكون الباب الصغير مفتوحاً (طقم أمان الباب الصغير (réf. 2400657).

إذا كان باب الجراج مطلاً على طريق عام، فينبغي تركيب آلية للإشارة مثل المصباح البرتقالي (réf. 9015171).

إذا كان باب الجراج يعمل في الوضع الأوتوماتيكي، يتعين تركيب تجهيزات للسلامة مثل الخلايا الكهروضوئية (réf. 9014994 أو réf. 9013647) وإشارة من نوع المصباح البرتقالي.

تحقق من عدم وجود أجزاء بالباب يسهل بلوغها وتشكل خطورة، قم بتأمينها إذا استلزم الأمر.

قد يتحرك الباب بشكل غير منضبط عند تحرير قفله إذا لم يكن مترناً كما ينبغي.



### إرشادات السلامة

يجب الالتزام بإرشادات السلامة طوال عملية التركيب بالكامل:

- اخلع الحلي (الأساور، السلاسل أو ما شابه) أثناء التركيب.
- عند القيام بعمليات ثقوب ولحام، يجب ارتداء نظارات خاصة ووسائل حماية مناسبة.
- استخدم عدة مناسبة.
- يرجى توخي الحذر في التعامل مع نظام الحركة الآلية لكي لا تكون عرضة للإصابات.
- لا تشرع في التوصيل بمنبع الطاقة أو ببطارية احتياطية قبل انتهائك من التركيب.
- احرص على عدم التنظيف مطلقاً بواسطة جهاز تنظيف بماء ذي ضغط عال.

## التركيب

### ارتفاع النظام صورة 4

قم بقياس المسافة "D" بين أعلى نقطة للباب والسقف.

إذا تراوح الطول "D" بين ٣٥ و ٢٠٠ ملم، فيمكنك تهيئة النظام مباشرة بالسقف.

إذا كان الطول "D" أكبر من ٢٠٠ ملم، فيجب تهيئة النظام بحيث يتراوح الارتفاع "H" بين ١٠ و ٢٠٠ ملم.

### شرح خطوات التركيب المختلفة صورة 5 إلى 15

تهيئة ركاب ساند وركاب الباب (صورة 5)

في حالة التثبيت مباشرة بالسقف (سقف معلق)، يمكن تهيئة الركاب الساند بالسقف مع إزاحته إذا استلزم الأمر بمقدار ٢٠٠ ملم بحد أقصى عن الدعامة (صورة 5- i).

تجميع القضيب المكون من جزأين (صورة 6)

[1] [2] [3]. قم بفرد جزأي القضيب.

تحقق من عدم تشابك السلسلة أو السير.



[4]. قم بتجميع جزأي القضيب بواسطة كُميم.

[5]. قم بتهيئة المجموعة بواسطة ٨ براغي تهيئة.

[6]. اربط الصامولة لشدة السلسلة أو السير. ينبغي أن يكون مقياس المطاط الذي تعرض للسحق ١٨ و ٢٠ ملم.

ينبغي عدم دخول براغي التثبيت في القضيب (لا تثقيبه).

في حالة التثبيت الملتصق بالسقف، لا تستخدم براغي تهيئة للكُميم.

## نقاط عامة

هذا المنتج مطابق لمواصفة «السلامة، القواعد الخاصة بمحركات أبواب الجراجات ذات الفتح الرأسي المستخدمة في البيئات السكنية» (المواصفة EN 60335-2:95). هذا المنتج الذي تم تركيبه وفقاً للتعليمات الموضحة وعلى نحو مطابق «لبطاقة فحص التركيب»، يتطابق في تركيبه مع المواصفتين EN 13241-1 و EN 12453.

تهدف التعليمات، الواردة في دليلي تركيب واستعمال هذا المنتج، إلى تحقيق المتطلبات التي تضمن سلامة الأشخاص والممتلكات وكذلك استيفاء المواصفات المذكورة. في حالة عدم الالتزام بهذه التعليمات، لن تتحمل شركة سومي أيّة مسؤولية عن الأضرار التي قد تحدث. ينبغي تركيب المحرك Dexxo Pro داخل الجراج مع نظام ذي وحدة تحكم احتياطية مدمجة.

نقر نحن شركة سومي بأن هذا المنتج موافق للمتطلبات الأساسية والبنود الأخرى ذات الصلة التي تنصّ عليها المواصفة 1999/5/EC. يمكنكم الاطلاع على إعلان المطابقة بموقع الإنترنت [www.somfy.com/ce](http://www.somfy.com/ce) (Dexxo Pro). يمكن استخدام هذا المنتج في الاتحاد الأوروبي وفي سويسرا.

## إرشادات السلامة

### تنبيه

تعليمات هامة للسلامة. ينبغي اتباع جميع التعليمات، لأن التركيب الخاطئ قد يؤدي إلى حدوث إصابات خطيرة.

### إرشادات السلامة

قبل تركيب المحرك، اخلع جميع الحبال والجزائير غير الضرورية وافصل أي جهاز غير ضروري لعملية التشغيل الآلي للباب.  
قبل تركيب المحرك، تحقق من الحالة الميكانيكية الجيدة للباب، ومن اتزانها بشكل سليم وأنه يفتح وينغلق على نحو صحيح.  
احرص على وضع جميع أزرار التحكم على ارتفاع 1,05 متر من الأرض بحد أدنى وبحيث تكون مرئية من المدخل ولكن بعيدة عن الأجزاء المتحركة.  
قم بتثبيت عنصر آلية الفصل اليدوي للحركة على ارتفاع 1,08 متر من الأرض بحد أقصى.  
في حالة وجود تجهيزات تحريك متنقلة، ينصح بصفتها مباشرة بالقرب من الباب.  
ثبت بطاقة آلية الإصلاح اليدوي للأعطال بشكل دائم بالقرب من تجهيزات التحريك الخاصة بها.  
ثبت ملصقات التحذير من السحق بشكل دائم بالقرب من أجهزة التحكم الثابتة، إن وجدت، على نحو ظاهر تماماً للمستخدم.  
بعد التركيب، تأكد من ضبط الآلية بشكل سليم ومن تغيير المحرك لاتجاه حركته عند مصادفة الباب لعائق ما على ارتفاع 0,50 ملم من الأرض.  
بعد التركيب، تأكد أن أجزاء الباب لا تتجاوز أعلى الرصيف أو الممر الذي قد يصل إليه المارة.  
بعد التركيب تأكد أن المحرك يمنع أو يوقف حركة الفتح عند تثبيت كتلة وزن 20 كغ بوسط الحافة السفلية للباب.

## وصف المنتج

### المكونات صورة 1

الرقم	العدد	الشرح	الرقم	العدد	الشرح
1	1	رأس المحرك	15	6	حزقة HU8
2	1	غطاء رأس المحرك	16	2	محور
3	1	غطاء الإضاءة المدمجة	17	2	حلفات تأمين
4	1	ركاب ساند	19	4	برغي ذاتي الثقب قطر 8x4
5	1	ركاب الباب	20	2	برغي للبلاستيك قطر 12x3,5
6	2	زاوية التثبيت بالسقف	21a	1	قضيب أحادي الكتلة
7	2	زاوية تثبيت رأس المحرك	21b	1	قضيب من جزأين
8	1	آلية الفصل اليدوي للحركة	21b1	1	كُمب
9	1	ذراع الوصل	21b2	8	برغي ذاتي التشكل قطر 8x4
10	1	مصد الحد الطرفي	22	2	حزقة HM8 ذاتية التوقف
11	4	وسادة تثبيت الجزئير	23	2	زاوية
12	1	ضفيرة منبع الطاقة	24	1	حلقة مبادعة
13	4	برغي H M8x16	25	2	جهاز التشغيل عن بعد Keygo
14	4	برغي بحلقة زنق H M8x12	26	1	لمبة 230 واط نوع E14

### مجالات الاستخدام صورة 2

#### أنواع الأبواب (صورة 2)

A: باب قلاب بارز.

B: باب شرائحي.

- إذا كان المقطع العلوي للوحة من نوع خاص، استخدم «ركاب تثبيت للباب الشرائحي» réf: 9009390.

- إذا كانت مساحة الباب أكبر من 10 م<sup>2</sup>، استخدم «مهايئ الباب الشرائحي» réf: 2400873.

C: الباب الجانبي.

- لتركيبه على سور داعم، استخدم:

- قضيب نقل بسير

- «الذراع المعقوف القابل للضبط» réf.: 9014481.

- للتركيب بالسقف، استخدم:

- «الذراع المفصلي» réf.: 9014482.

D: باب مصراعي. استخدم «طقم الباب المصراعي» réf.: 2400459.

E: باب نصف منفصل وغير منفصل استخدم:

- قضيب نقل عالي الأداء

- «طقم باب نصف منفصل وغير منفصل» réf.: 2400458.

قد يتعذر التحريك الآلي لبعض من هذه الأبواب، يرجى استشارة خدمة الدعم الفني بشركة سومي.

2	نقاط عامة
2	إرشادات السلامة
2	تنبيه
2	إرشادات السلامة
2	وصف المنتج
2	المكونات
2	مجال الاستخدام
3	بعض النقاط الواجب التحقق منها قبل التركيب
3	الفحوصات الأولية
3	إرشادات السلامة
3	التركيب
3	ارتفاع التركيب
3	شرح خطوات التركيب المختلفة
5	البرمجة
5	شرح أزرار البرمجة
5	ضبط الحد الطرقي والبرمجة الأوتوماتيكية
5	تخزين أجهزة التشغيل عن بعد للتشغيل على وضع «الفتح الكلي»
5	مراجعة الأداء الوظيفي
5	استعمال أجهزة التحكم اللاسلكية
5	تشغيل خاصية اكتشاف العوائق
5	تشغيل الإضاءة المدمجة
6	توصيلات التجهيزات الملحقة
6	شرح التجهيزات الملحقة المختلفة
6	التوصيل الكهربائي للتجهيزات الملحقة المختلفة
7	ضبط البارامتر
7	المخطط العام لضبط البارامتر
7	مدلول البارامترات المختلفة
9	محو أجهزة التشغيل عن بعد وجميع أوضاع الضبط
9	محو أجهزة التشغيل عن بعد
9	إعادة تهيئة جميع أوضاع الضبط
9	تأمين قفل أزرار البرمجة
9	إعادة تركيب الأغطية
9	تشخيص الأعطال
9	بيان أكواد التشغيل
9	بيان أكواد البرمجة
10	بيان أكواد الأخطاء والأعطال
10	الدخول إلى المعطيات المخزنة
11	المواصفات الفنية
11	الأبعاد









**Lists of subsidiaries / Lista de filiales / Lista das filiai / Κατάλογοι των θυγατρικών /**

**قائمة الفروع / فهرست نمایندگیها**

**Argentina : Somfy Argentina**  
+55 11 (0) 4737-37000

**Australia : Somfy PTY LTD**  
+61 (0) 2 9638 0744

**Austria : Somfy GesmbH**  
+43(0) 662 / 62 53 08 - 0

**Belgium : Somfy Belux**  
+32 (0)2 712 07 70

**Brasil : Somfy Brasil STDA**  
+55 11 (0) 6161 6613

**Canada : Somfy ULC**  
+1 (0) 905 564 6446

**China : Somfy China Co. Ltd**  
+8621 (0) 6280 9660

**Cyprus : Somfy Middle East**  
+357 (0) 25 34 55 40

**Czech Republic : Somfy Spol s.r.o.**  
(+420) 296 372 486-7

**Denmark : Somfy Nordic AB Denmark**  
+45 65 32 57 93

**Finland : Somfy Nordic AB Finland**  
+358 (0) 957 13 02 30

**France : Somfy France**  
+33 (0) 820 374 374

**Germany : Somfy GmbH**  
+49 (0) 7472 9300

**Greece : Somfy Hellas**  
+30 210 614 67 68

**Hong Kong : Somfy Co. Ltd**  
+852 (0) 2523 6339

**Hungary : Somfy Kft**  
+36 1814 5120

**India : Somfy India PVT Ltd**  
+91 (0) 11 51 65 91 76

**Indonesia : Somfy IndonesiaEra**  
+62 (0) 21 719 3620

**Iran : Somfy Iran**  
0098-217-7951036

**Israel : Sisa Home Automation Ltd**  
+972 (0) 3 952 55 54

**Italy : Somfy Italia s.r.l**  
+39-024 84 71 84

**Japan : Somfy KK**  
+81 (0)45-475-0732  
+81 (0)45-475-0922

**Jordan : Somfy Jordan**  
+962-6-5821615

**Kingdom of Saudi Arabia : Somfy Saudi**  
Riyadh : +966 1 47 23 203  
Jeddah : +966 2 69 83 353

**Kuwait : Somfy Kuwait**  
00965 4348906

**Lebanon : Somfy Middle East**  
+961(0) 1 391 224

**Malaysia : Somfy Malaysia**  
+60 (0) 3 228 74743

**Mexico : Somfy Mexico SA de CV**  
+52(0) 55 5576 3421

**Morocco : Somfy Maroc**  
+212-22951153

**Netherlands : Somfy BV**  
+31 (0) 23 55 44 900

**Norway : Somfy Norway**  
+47 67 97 85 05

**Poland : Somfy SP Z.O.O**  
+48 (0) 22 618 80 56

**Portugal : Somfy Portugal**  
+351 229 396 840

**Romania : Somfy SRL**  
+40 - (0)368 - 444 081

**Russia : cf. Germany - Somfy GmbH**  
+7 095 781 47 72

**Singapore : Somfy PTE LTD**  
+65 (0) 638 33 855

**Slovak Republic : Somfy Spol s.r.o.**  
(+421) 33 77 18 638

**South Korea : Somfy JOO**  
+82 (0) 2 594 4333

**Spain : Somfy Espana SA**  
+34 (0) 934 800 900

**Sweden : Somfy Nordic AB**  
+46 (0) 40 165900

**Switzerland : Somfy A.G.**  
+41 (0) 44 838 40 30

**Syria : Somfy Syria**  
+963-9-55580700

**Taiwan : Somfy Taiwan**  
+886 (0) 2 8509 8934

**Thailand : Somfy Thailand**  
+66 (0) 2714 3170

**Turkey : Somfy Turkey**  
+90 (0) 216 651 30 15

**United Arab Emirates : Somfy Gulf**  
+971 (0) 4 88 32 808

**United Kingdom : Somfy LTD**  
+44 (0) 113 391 3030

**United States : Somfy Systems Inc**  
+1 (0) 609 395 1300

